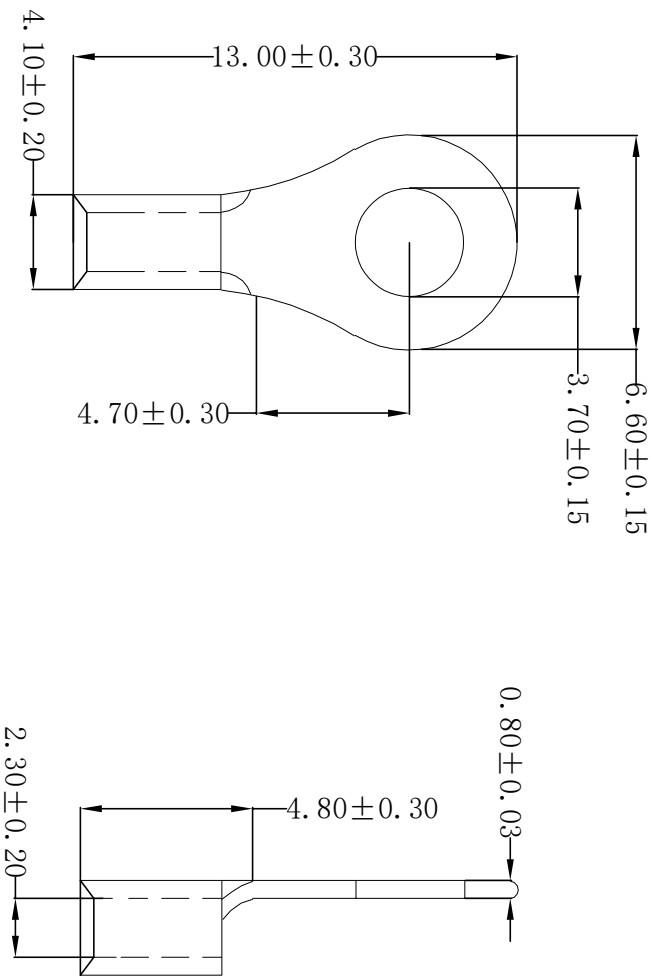


ROHS



Technical requirements:

- Material: Copper (紫铜)
- Applicable wire: 1.50~2.50mm²
- Surface treatment: Tin plating
- Plating thickness: 2.5um~5um
- Coating temperature: 120° /2H
- Max Current: 27A
- USA Screw: #6
- Appearance: the body should not be scratched or oxidized
- Meet rosh and customer environmental requirements

REV	DATE	MODIFICATION DESCRIPTION	CHANGE	APPROVE	OPERATION	DRAW	YANG	2016.06.06	SCALE	<p>SCONDAR ELECTRONIC LIMITED</p>	PART NO.	SCTRMB2-3.5S141	
A0	2016.06.06	NEW			X.X ±0.35	DESIGN			UNIT		mm		Terminal 370R copper Tin plated 1.5~2.5mm ² wire, ID:3.70mm OD:6.60mm MFG=Ifores
					X.XX ±0.25	CHECK	Lisa	2016.06.06	SIZE		A4		
					X.XXX ±0.15	APPROVE			SHEET	1/1	TITLE:		
					Angle ±3°				PROJ.				
					DIM TOL.								