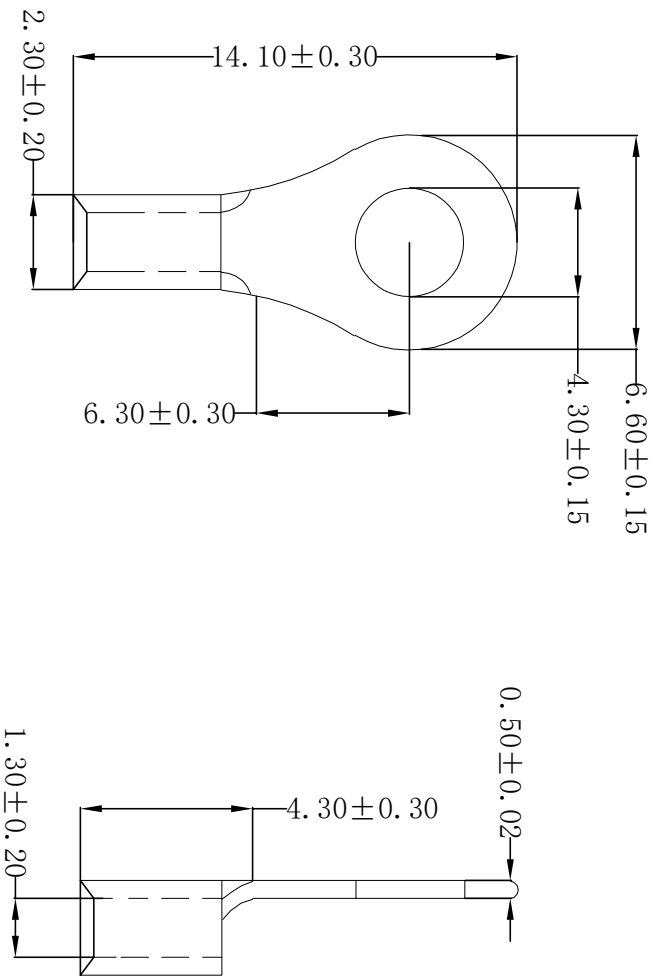



ROHS



Technical requirements:

- Material: Copper (紫铜)
- Applicable wire: 0.2~0.75mm²
- Surface treatment: Tin plating
- Plating thickness: 2.5um~5um
- Coating temperature: 120° /2H
- Max Current: 10A
- USA Screw: #8
- Appearance: the body should not be scratched or oxidized
- Meet rosh and customer environmental requirements

REV	DATE	MODIFICATION DESCRIPTION	CHANGE	APPROVE	OPERATION	DRAW	YANG	2016.06.06	SCALE	 SCONDAR ELECTRONIC LIMITED																					
A0	2016.06.06	NEW	---	---	<table border="1"> <tr> <td>X.X</td> <td>±0.35</td> <td>DESIGN</td> </tr> <tr> <td>X.XX</td> <td>±0.25</td> <td>CHECK</td> </tr> <tr> <td>X.XXX</td> <td>±0.15</td> <td>APPROVE</td> </tr> <tr> <td>Angle</td> <td>±3°</td> <td></td> </tr> <tr> <td>DIM</td> <td>TOL</td> <td></td> </tr> </table>	X.X	±0.35	DESIGN	X.XX		±0.25	CHECK	X.XXX	±0.15	APPROVE	Angle	±3°		DIM	TOL		Lisa	2016.06.06	<table border="1"> <tr> <td>UNIT</td> <td>mm</td> </tr> <tr> <td>SIZE</td> <td>A4</td> </tr> <tr> <td>SHEET</td> <td>1/1</td> </tr> </table>	UNIT	mm	SIZE	A4	SHEET	1/1	PART NO.
X.X	±0.35	DESIGN																													
X.XX	±0.25	CHECK																													
X.XXX	±0.15	APPROVE																													
Angle	±3°																														
DIM	TOL																														
UNIT	mm																														
SIZE	A4																														
SHEET	1/1																														
1									<table border="1"> <tr> <td>PROJ.</td> <td></td> <td>TITLE:</td> <td></td> </tr> </table>	PROJ.		TITLE:		SCTRNB0.5-4141 Terminal 430R copper Tin plated 0.2~0.75mm ² wire, ID:4.30mm OD:6.60mm																	
PROJ.		TITLE:																													