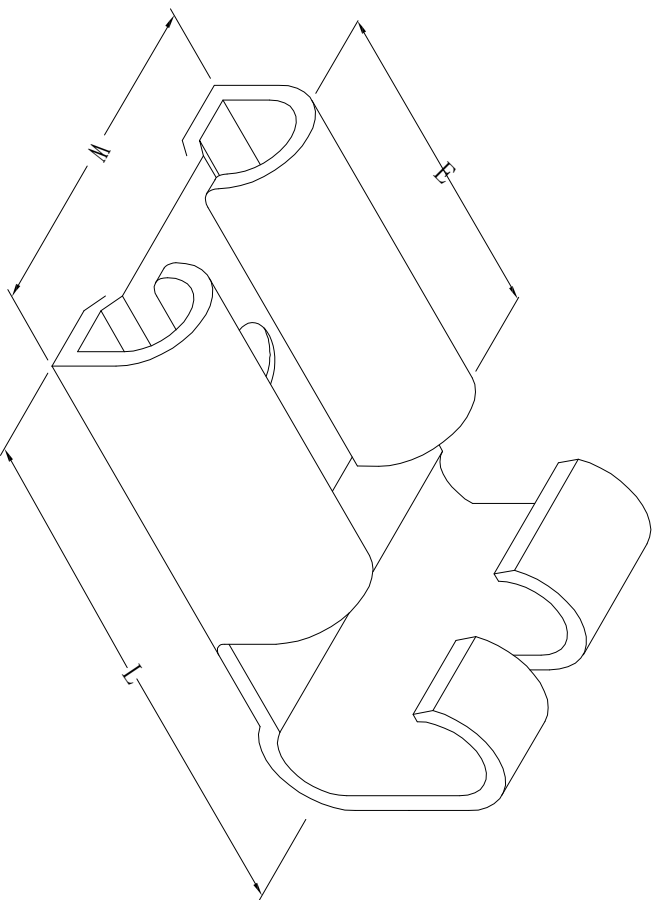


ROHS



REV	DATE	MODIFICATION DESCRIPTION	CHANGE	APPROVE	OPERATION DIM	TOL.	APPROVE	SCALE	UNIT	SIZE	SHEET	PROJ.	TITLE:
A0	2016.06.06	NEW	---	---	X.X X.XX X.XXX Angle	±0.30 ±0.20 ±0.10 ±3°	---	---	mm	A4	1/1	---	SCONDAR ELECTRONIC LIMITED
					DRAW		YANG	2016.06.06					
					DESIGN								
					CHECK		Lisa	2016.06.06					



SCONDAR ELECTRONIC LIMITED
SCTFD2500842-40C141