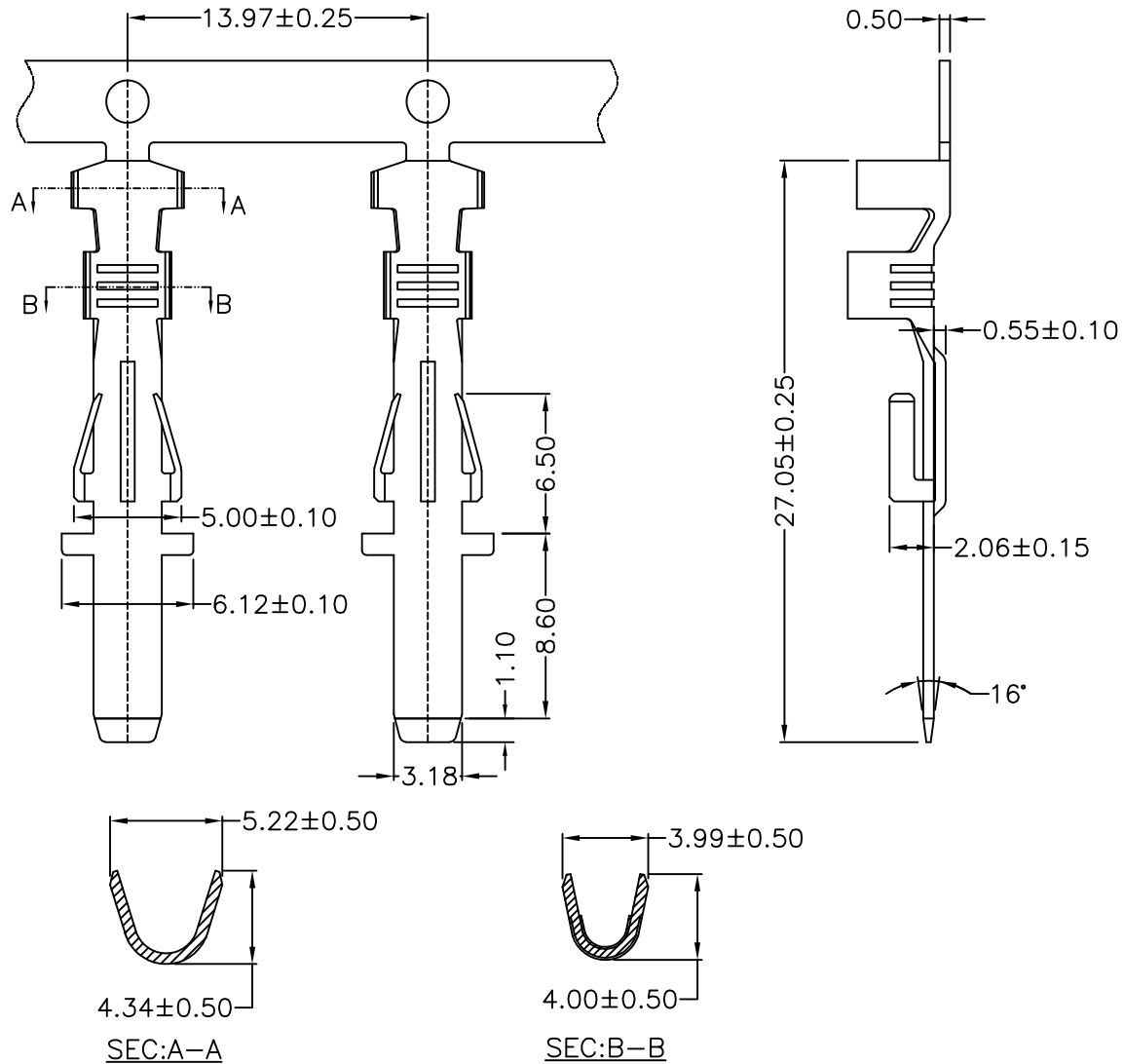


RoHS



Specification:

- Current Rating: 34A AC/DC
- Voltage Rating: 600V AC/DC
- Insulation Resistance: 1000MΩ Min
- Withstanding Voltage: 1500VAC(1Min)
- Contact resistance: 10mΩ(Max).
- Operation Temperature: -40°C to +105°C

Material:

- Material: Brass
- Applicable Wires: 18AWG(OD3.3mmMax)

Ordering Information

SCT7502MT B D 136

Material:
B=Brass

Contact Plated
D=Source Material

SCONDAR ELECTRONIC, LTD
ENGINEER 20241022

OPERATION	
X.X	±0.35
X.XX	±0.25
X.XXX	±0.15
Angle	± 3'
DIM	TOL

DRAW
DESIGN
CHECK
APPROVE

Xiong 2021.07.12
Lisa 2021.07.13

SCALE -
UNIT mm
SIZE A4
SHEET 1/1
PROJ.



SCONDAR ELECTRONIC LIMITED

A0	2021.07.12	NEW		
REV	DATE	MODIFICATION DESCRIPTION	CHANGE	APPROVE

PART NO. SCT7502MTBD136
TITLE: MX43178 7.5mm Brass Male Terminal 18AWG Reel MPQ=3KPcs