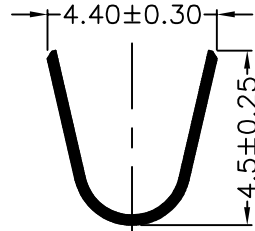
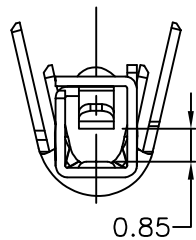
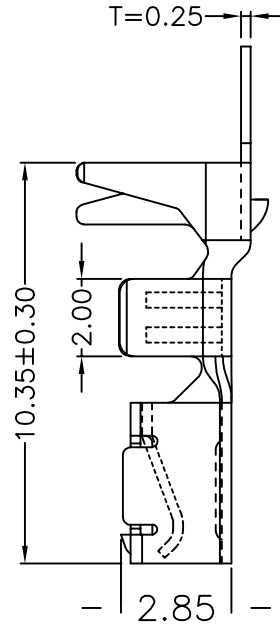
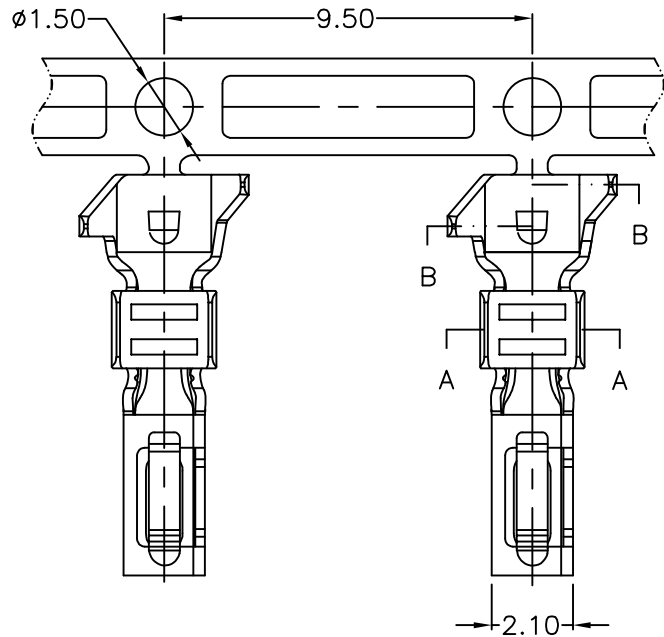
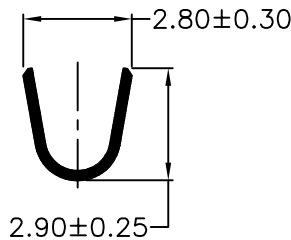


RoHS



SECTION B-B



SECTION A-A

Specification:

- Current Rating: 15A AC/DC
- Voltage Rating: 600V AC/DC
- Insulation Resistance: 1000MΩ Min
- Withstanding Voltage: 1500VAC(1Min)
- Contact resistance: 10mΩ(Max).
- Operation Temperature: -55°C to +80°C

Material:

- Material: Phosphor Bronze
- Finish: Tin Plated
- Applicable Wires: 16AWG~18AWG

Ordering Information

SCT3964 TA P S 173

Material
P=Phosphor Bronze

Contact Plated
S=Tin Flash

Specification				
Poles	16AWG	18AWG	20AWG	22AWG
1	15A	13A	11A	9A
2	14A	12A	10A	8A
3	12A	10A	8A	7A
4	10A	8A	7A	6A
5	10A	8A	7A	6A
6	10A	8A	7A	6A

		<div style="border: 2px solid red; padding: 5px; color: red; text-align: center;"> SCONDAR ELECTRONIC, LTD ENGINEER 20241014 </div>		OPERATION	DRAW	Xiong	2022.07.06	SCALE	-	 SCONDAR ELECTRONIC LIMITED	
				X.X	±0.35	DESIGN			UNIT		mm
				X.XX	±0.25	CHECK	Lisa	2022.07.08	SIZE		A4
A0	2022.07.06				NEW				SHEET		1/1
REV	DATE	MODIFICATION DESCRIPTION		CHANGE	APPROVE			PROJ.		TITLE:	DF63 3.96mm Phosphor Bronze Tin Plated High foot Terminal 16-18AWG MPQ=0.4Kpcs/Reel