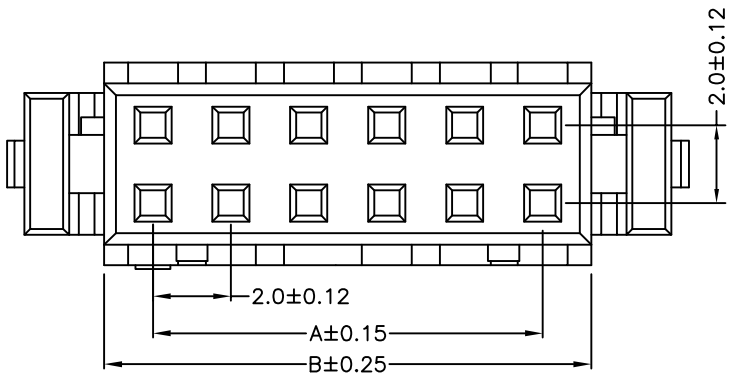
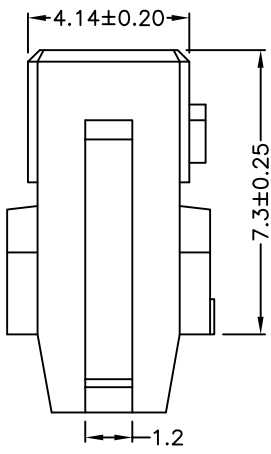
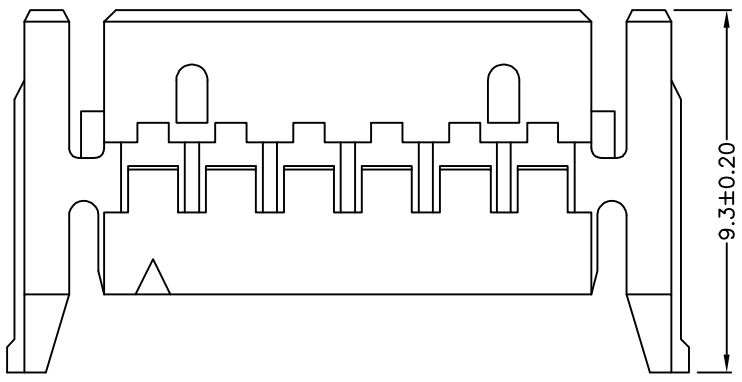


RoHS



Specification:

- Current Rating: 3A AC/DC
- Voltage Rating: 250V AC/DC
- Insulation Resistance: 1000MΩ Min
- Withstanding Voltage: 800VAC(1Min)
- Contact resistance: 20mΩ(Max).
- Operation Temperature: -25°C to +85°C

Material:

- Insulator (Housing): PA66 (UL94V-0)
- Color: White

Ordering Information

SCT2033H - 2xx B WT 169

No. of Pins See Table Insulation B=PA66 V0 Color WT=White

Dimensions		Part NO	PIN
A	B		
2.00	4.50	SCT2033H-202BWT169	2*02
4.00	6.50	SCT2033H-203BWT169	2*03
6.00	8.50	SCT2033H-204BWT169	2*04
8.00	10.50	SCT2033H-205BWT169	2*05
10.00	12.50	SCT2033H-206BWT169	2*06
12.00	14.50	SCT2033H-207BWT169	2*07
14.00	16.50	SCT2033H-208BWT169	2*08
16.00	18.50	SCT2033H-209BWT169	2*09
18.00	20.50	SCT2033H-210BWT169	2*10
20.00	22.50	SCT2033H-211BWT169	2*11
22.00	24.50	SCT2033H-212BWT169	2*12
24.00	26.50	SCT2033H-213BWT169	2*13
26.00	28.50	SCT2033H-214BWT169	2*14
28.00	30.50	SCT2033H-215BWT169	2*15
30.00	32.50	SCT2033H-216BWT169	2*16
32.00	34.50	SCT2033H-217BWT169	2*17
34.00	36.50	SCT2033H-218BWT169	2*18
36.00	38.50	SCT2033H-219BWT169	2*19
38.00	40.50	SCT2033H-220BWT169	2*20

SCONDAR ELECTRONIC, LTD
ENGINEER XJ2412

OPERATION	Xiong	2024.05.13
DESIGN		
CHECK	Lisa	2024.05.13
APPROVE		



SCONDAR ELECTRONIC LIMITED

SCALE	—
UNIT	mm
SIZE	A4
SHEET	1/1
PROJ.	Part No. SCT2033H-2xxBWT169
TITLE:	PHDS2.0mm PA66 V0 White 2xxPin HouSing

REV	DATE	MODIFICATION DESCRIPTION	CHANGE	APPROVE
A0	2024.05.13	NEW		