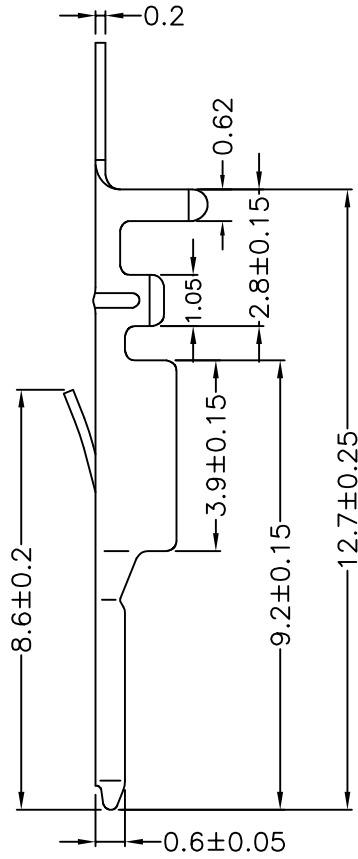
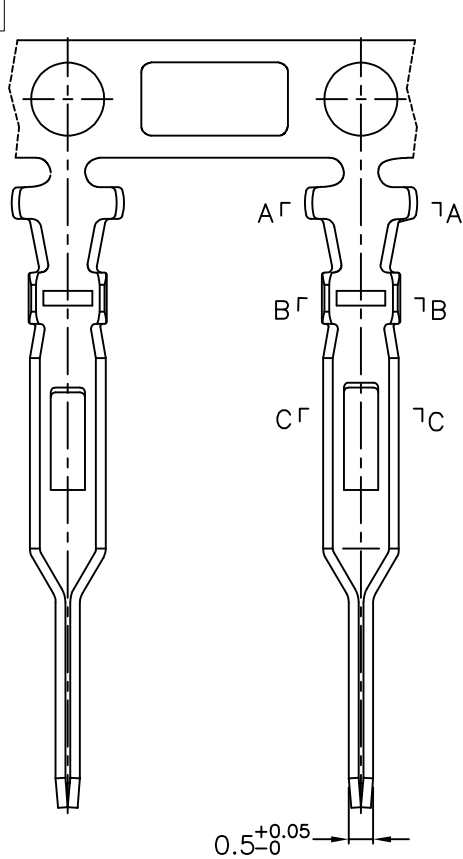


RoHS



Specification:

- Current Rating: 3A AC/DC
- Voltage Rating: 250V AC/DC
- Insulation Resistance: 1000MΩ (Min)
- Withstanding Voltage: 1000VAC(1Min)
- Contact resistance: 20MΩ MAX.
- Operation Temperature: -25°C to +85°C

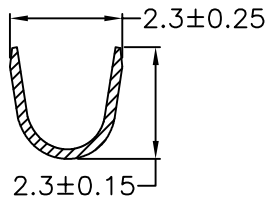
Material:

- Material: Phosphor Bronze
- Finish: Tin-Plated
- Applicable Wire : 22-28WAG

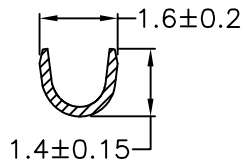
Ordering Information

SCT2006 MT P S 190

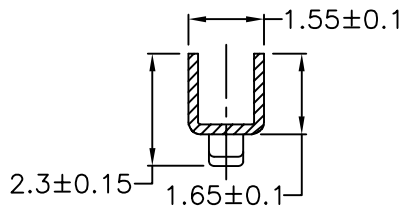
Material
P=Phosphoric bronze Contact Plated
S=Tin Plated




SEC:A-A



SEC:B-B



SEC:C-C

		<div style="border: 2px solid red; padding: 5px; display: inline-block;"> SCONDAR ELECTRONIC, LTD ENGINEER 20240725 </div>		OPERATION		DRAW	Xiong	2020.07.13	SCALE	-		SCONDAR ELECTRONIC LIMITED	
				X.X	±0.35				UNIT	mm			
				X.XX	±0.25	DESIGN				SIZE		A4	PART NO.
A0	2020.07.13	NEW		X.XXX	±0.15	CHECK	Lisa	2020.07.16	SHEET	1/1	TITLE:	YH2.0mm Phosphor Bronze Tin-plated Male Terminal 22-28AWG MPQ=13Kpcs/Reel	
REV	DATE	MODIFICATION DESCRIPTION		Angle	± 3'	APPROVE			PROJ.	⊕			
		CHANGE	APPROVE	DIM	TOL								