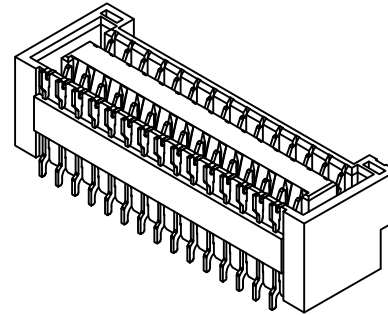
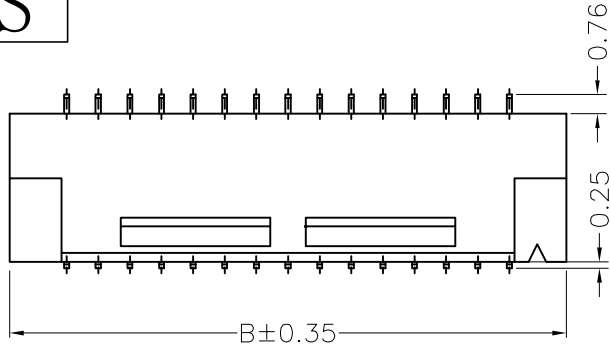


RoHS



Specification:

- Current Rating: 1.0A AC/DC
- Voltage Rating: 50V AC/DC
- Insulation Resistance: 100MΩ Min
- Withstanding Voltage: 500VAC(1Min)
- Contact resistance: 30mΩ(Max).
- Operation Temperature: -25°C to +105°C

Material:

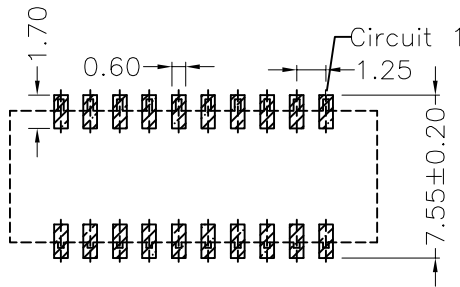
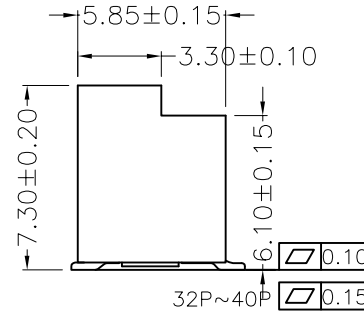
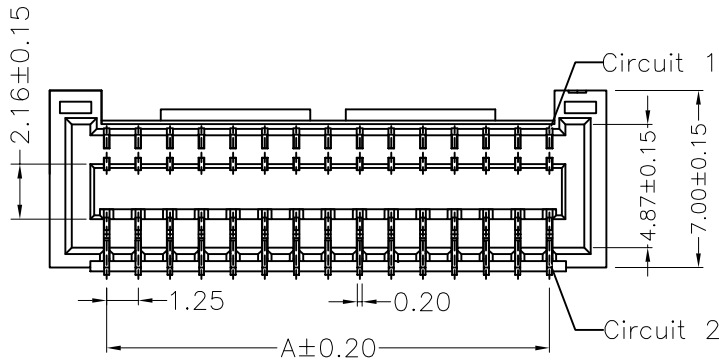
- Insulator (Housing): LCP (UL94-V0)
- Color: Beige
- Contacts: Brass/Gold Plated
- Solder Tabs: Brass/Tin Plated

Ordering Information

SCT12580WRS - 2xx F 1 BE 164

No. of Pins See Table Insulation F=LCP Package 1=Tape&Reel Color BE=Beige

Dimensions		Part NO	PIN
A	B		
5.00	9.50	SCT12580WRS-205F1BE164	2x05
6.25	10.75	SCT12580WRS-206F1BE164	2x06
7.50	12.00	SCT12580WRS-207F1BE164	2x07
8.75	13.25	SCT12580WRS-208F1BE164	2x08
10.00	14.50	SCT12580WRS-209F1BE164	2x09
11.25	15.75	SCT12580WRS-210F1BE164	2x10
12.50	17.00	SCT12580WRS-211F1BE164	2x11
13.75	18.25	SCT12580WRS-212F1BE164	2x12
15.00	19.50	SCT12580WRS-213F1BE164	2x13
16.25	20.75	SCT12580WRS-214F1BE164	2x14
17.50	22.00	SCT12580WRS-215F1BE164	2x15
18.75	23.25	SCT12580WRS-216F1BE164	2x16
20.00	24.50	SCT12580WRS-217F1BE164	2x17
21.25	25.75	SCT12580WRS-218F1BE164	2x18
22.50	27.00	SCT12580WRS-219F1BE164	2x19
23.75	28.25	SCT12580WRS-220F1BE164	2x20



P C B LAYOUT

					OPERATION	DRAW	Xiong	2021.05.22	SCALE	—
					X.X ±0.30	DESIGN			UNIT	mm
					X.XX ±0.20				SIZE	A4
					X.XXX ±0.10		CHECK	Lisa	2021.05.24	SHEET
A0	2021.05.22	NEW			Angle ±3°	APPROVE			PROJ.	Part No.
REV	DATE	MODIFICATION DESCRIPTION	CHANGE	APPROVE	DIM TOL	APPROVE				TITLE:

SCONDAR ELECTRONIC, LTD
ENGINEER 20241016

SCONDAR
SCONDAR ELECTRONIC LIMITED

Part No. SCT12580WRS-2xxF1BE164

GHD 1.25mm LCP V0 Beige 2xxPin Brass Gold Plated SMT
WR Socket Tape&Reel MPQ=900PCS