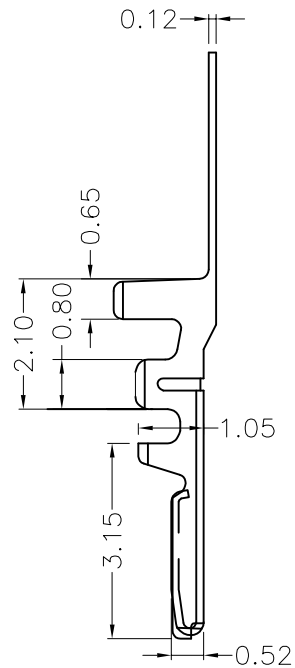
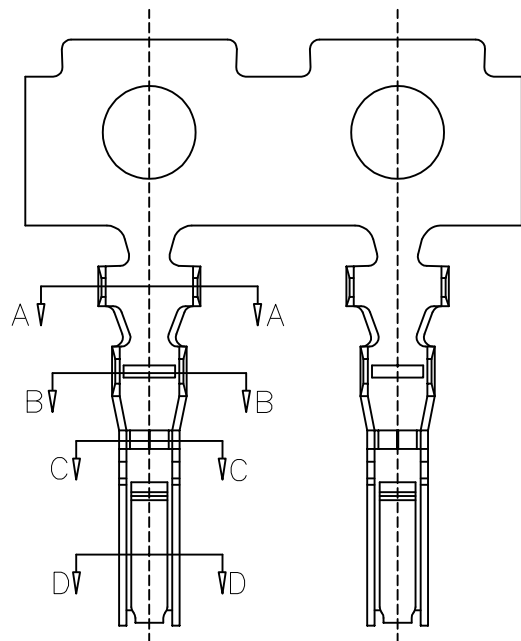


RoHS



Specification:

- Current Rating: 1.0A AC/DC
- Voltage Rating: 50V AC/DC
- Insulation Resistance: 100MΩ Min
- Withstanding Voltage: 500VAC(1Min)
- Contact resistance: 30mΩ(Max).
- Operation Temperature: -25°C to +105°C

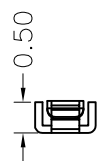
Material:

- Material: Phosphor Bronze
- Finish: Tin Plated
- Applicable Wires: 32AWG~26AWG  
OD:0.4mm~ 1.0mm

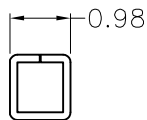
Ordering Information

SCT12580T P S 164

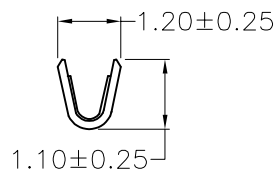
Material:  
P=Phosphor Bronze      Contact Plated  
S=Tin Plated



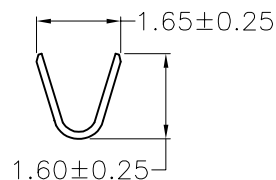
SEC:D-D



SEC:C-C



SEC:B-B



SEC:A-A

SCONDAR ELECTRONIC, LTD  
ENGINEER 20241016

					OPERATION	DRAW	Xiong	2021. 05. 22	SCALE	—			
					X. X ±0.30	DESIGN			UNIT	mm		SCONDAR ELECTRONIC LIMITED	
					X. XX ±0.20		CHECK	Lisa	2021. 05. 24	SIZE			A4
					X. XXX ±0.10		APPROVE			SHEET			1/1
REV	DATE	MODIFICATION DESCRIPTION	CHANGE	APPROVE	Angle ±3°	DIM	TOL	APPROVE	PROJ.	⌀	TITLE:		GHD 1.25mm Phosphor bronze Tin Plated Terminal 26-32AWG MPQ=20KPs/Reel