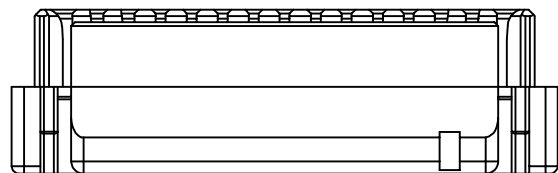
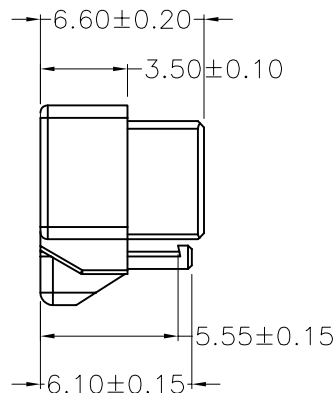
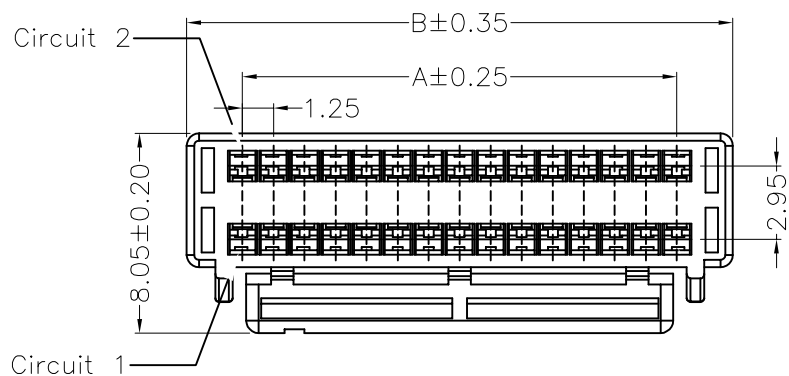
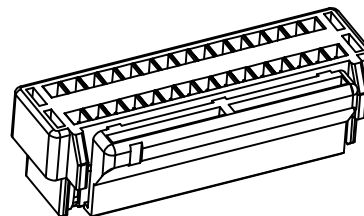
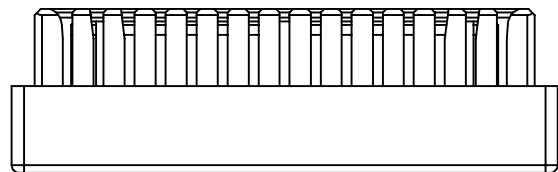


RoHS



- Specification:
- Current Rating: 1.0A AC/DC
 - Voltage Rating: 50V AC/DC
 - Insulation Resistance: 100MΩ Min
 - Withstanding Voltage: 500VAC(1Min)
 - Contact resistance: 30mΩ(Max).
 - Operation Temperature: -25°C to +105°C

- Material:
- Insulator (Housing): PA66 (UL94-V0)
 - Color: White

Ordering Information

SCT12580H - 2xx B WT 164

No.of Pins See Table Insulation B=PA66 V0 Color WT=White

Dimensions		Part NO	PIN
A	B		
5.00	9.50	SCT12580H-205BWT164	2x05
6.25	10.75	SCT12580H-206BWT164	2x06
7.50	12.00	SCT12580H-207BWT164	2x07
8.75	13.25	SCT12580H-208BWT164	2x08
10.00	14.50	SCT12580H-209BWT164	2x09
11.25	15.75	SCT12580H-210BWT164	2x10
12.50	17.00	SCT12580H-211BWT164	2x11
13.75	18.25	SCT12580H-212BWT164	2x12
15.00	19.50	SCT12580H-213BWT164	2x13
16.25	20.75	SCT12580H-214BWT164	2x14
17.50	22.00	SCT12580H-215BWT164	2x15
18.75	23.25	SCT12580H-216BWT164	2x16
20.00	24.50	SCT12580H-217BWT164	2x17
21.25	25.75	SCT12580H-218BWT164	2x18
22.50	27.00	SCT12580H-219BWT164	2x19
23.75	28.25	SCT12580H-220BWT164	2x20

		SCONDAR ELECTRONIC, LTD ENGINEER 20241016		OPERATION		DRAW	Xiong	2021.05.22	SCALE	—	SCONDAR ELECTRONIC LIMITED		
				X. X	±0.30				DESIGN				UNIT
				X. XX	±0.20	CHECK	Lisa	2021.05.24		SIZE			A4
AO	2021.05.22			NEW						X. XXX			±0.10
REV	DATE	MODIFICATION DESCRIPTION		CHANGE	APPROVE	Angle	±3°	PROJ.		TITLE:	GHD 1.25mm PA66 V0 White 2xxPin With Lock Housing		
				DIM	TOL	APPROVE							