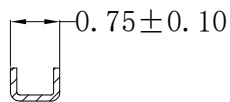
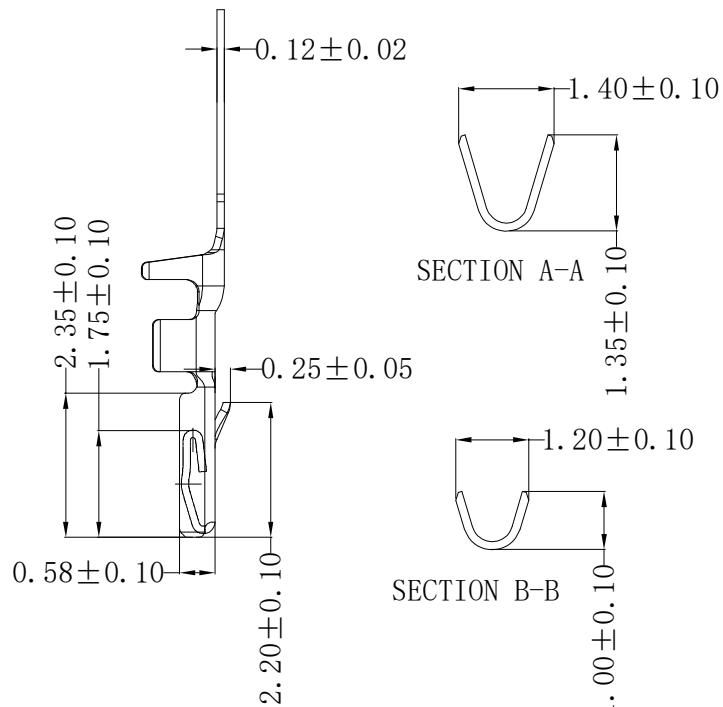
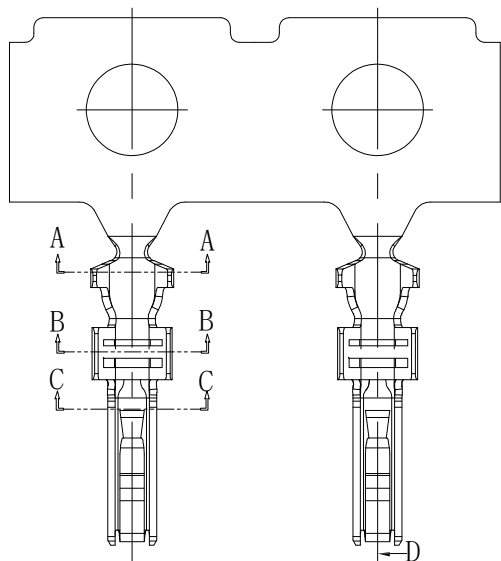


RoHS



SECTION C-C

Specification:

- Current Rating: 1A AC/DC
- Voltage Rating: 50V AC/DC
- Insulation Resistance: 100MΩ Min
- Withstanding Voltage: 500VAC(1Min)
- Contact resistance: 30mΩ(Max).
- Operation Temperature: -25°C to +85°C
- Material:
- Applicable Wire: AWG#32-28
- Material: Phosphor Bronze
- Finish: Tin/Gold Plated

Ordering Information

SCT1016 T P x 164

Material:
 P=Phosphor Bronze Contact Plated
 S=Tin Plated
 G=Gold Plated

深圳市森康达电子有限公司
 工程专用章

受控

					OPERATION	DRAW	YANG	2016.06.06	SCALE	—	 SCONDAR ELECTRONIC LIMITED	
					X.X ±0.30	DESIGN			UNIT	mm		
					X.XX ±0.20		CHECK	Lisa	2016.06.06	SIZE		A4
AO	2016.06.06	NEW	—	—	X.XXX ±0.10	APPROVE			SHEET	1/1		Part No.
REV	DATE	MODIFICATION DESCRIPTION	CHANGE	APPROVE	Angle ±3°	DIM	TOL	APPROVE	PROJ.	⌀	TITLE:	1.00mm Pitch for SCT1016H Crimp Terminal Phosphor Bronze Tin/Gold Plating 28-32AWG Reel MPQ=20KPes