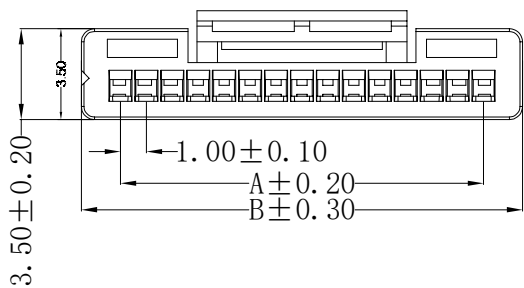
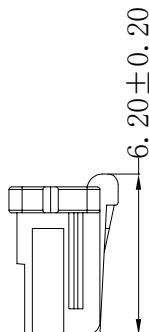
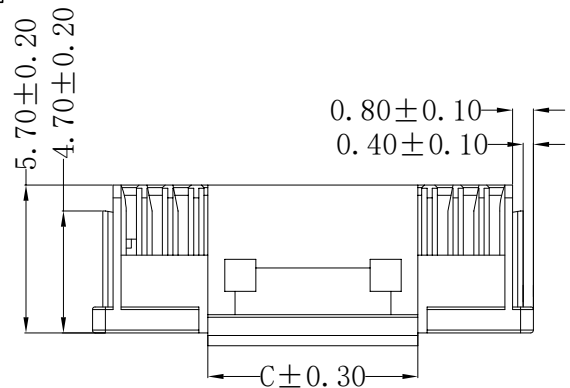
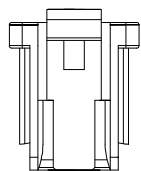


RoHS

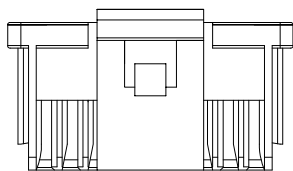


深圳市森康达电子有限公司
工程专用章

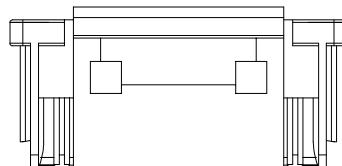
受控



2P~4P



5P~9P



10P~15P

Specification:

- Current Rating: 1A AC/DC
- Voltage Rating: 50V AC/DC
- Insulation Resistance: 100MΩ Min
- Withstanding Voltage: 500VAC(1Min)
- Contact resistance: 30mΩ(Max).
- Operation Temperature: -25°C to +85°C

Material:

- Insulator (Housing): PA66 (UL94V-0)
- Color: White

Ordering Information

SCT1016H - xx B WT 164

No.of Pins
See Table

Insulation
B=PA66 V0

Color
WT=White

Dimensions			Part NO	PIN
A	B	C		
2.00	5.00	2.00	SCT1016H-02BWT164	2
2.00	5.00	2.00	SCT1016H-03BWT164	3
3.00	6.00	2.00	SCT1016H-04BWT164	4
4.00	7.00	3.40	SCT1016H-05BWT164	5
5.00	8.00	4.30	SCT1016H-06BWT164	6
6.00	9.00	4.30	SCT1016H-07BWT164	7
7.00	10.00	4.30	SCT1016H-08BWT164	8
8.00	11.00	4.30	SCT1016H-09BWT164	9
9.00	12.00	6.15	SCT1016H-10BWT164	10
10.00	13.00	6.15	SCT1016H-11BWT164	11
11.00	14.00	6.15	SCT1016H-12BWT164	12
12.00	15.00	6.15	SCT1016H-13BWT164	13
13.00	16.00	8.10	SCT1016H-14BWT164	14
14.00	17.00	8.10	SCT1016H-15BWT164	15

					OPERATION	DRAW	YANG	2016.06.06	SCALE	—	 SCONDAR ELECTRONIC LIMITED	
					X.X ±0.30	DESIGN			UNIT	mm		
					X.XX ±0.20	CHECK	Lisa	2016.06.06	SIZE	A4		
					X.XXX ±0.10	APPROVE			SHEET	1/1		Part No
REV	DATE	MODIFICATION DESCRIPTION	CHANGE	APPROVE	Angle ±3°	APPROVE			PROJ.	⊕	TITLE:	1.00mm Pitch Wire to Board Housing xx Circuits PA66 V0 White