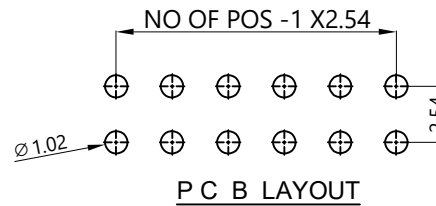
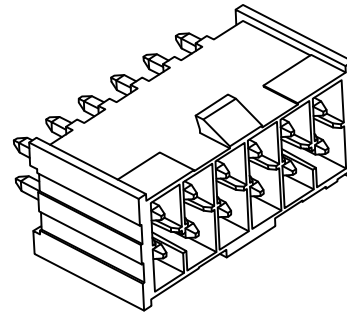
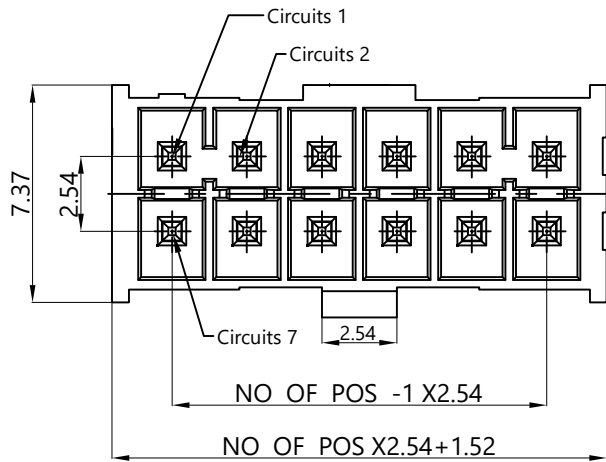


RoHS

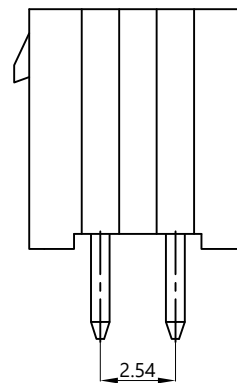
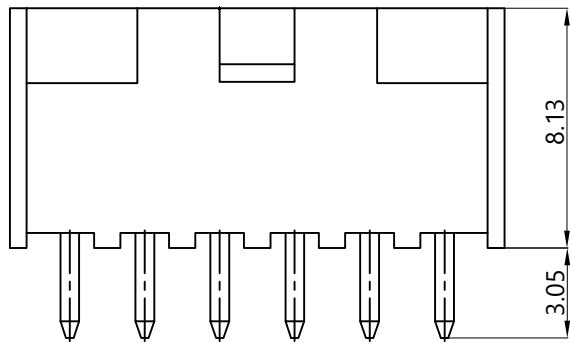


Specification:

- Current Rating:3A AC/DC
- Voitage Rating: 1000V AC/DC
- Insulation Resistance:1000MΩ Min
- Contact resistance: 20mΩ (Max).
- Operation Temperature: -25°C to +85°C

Material:

- Insulator (Housing):LCP (UL94-V0)
- Terminal:Phosphor bronze
- Color: Beige




Ordering Information

SCT25414WV-2XX F 0 BE 173

No. of Pins See Table
 F=LCP
 Package 0=PE Bag
 Color BE=Beige

SCONDAR ELECTRONIC LIMITE
 ENGINEER YAO APPROVED

					OPERATION	DRAW	Zhong	2019.06.02	SCALE	-	 SCONDAR ELECTRONIC LIMITED
					X.X ±0.35	DESIGN			UNIT	mm	
					X.XX ±0.25	CHECK	Lisa	2019.06.02	SIZE	A4	
					X.XXX ±0.15	APPROVE	Allen	2019.06.02	SHEET	1/1	
AO	2019.06.02		NEW		Angle ± 3'				PART NO.	SCT25414WV-2XXF1BE173	
REV	DATE		MODIFICATION DESCRIPTION	CHANGE	APPROVE				PROJ.	TITLE:	SAMTEC 2.54mm 2XXPin DIP WV LCP V0 Beige Socket PE Bag