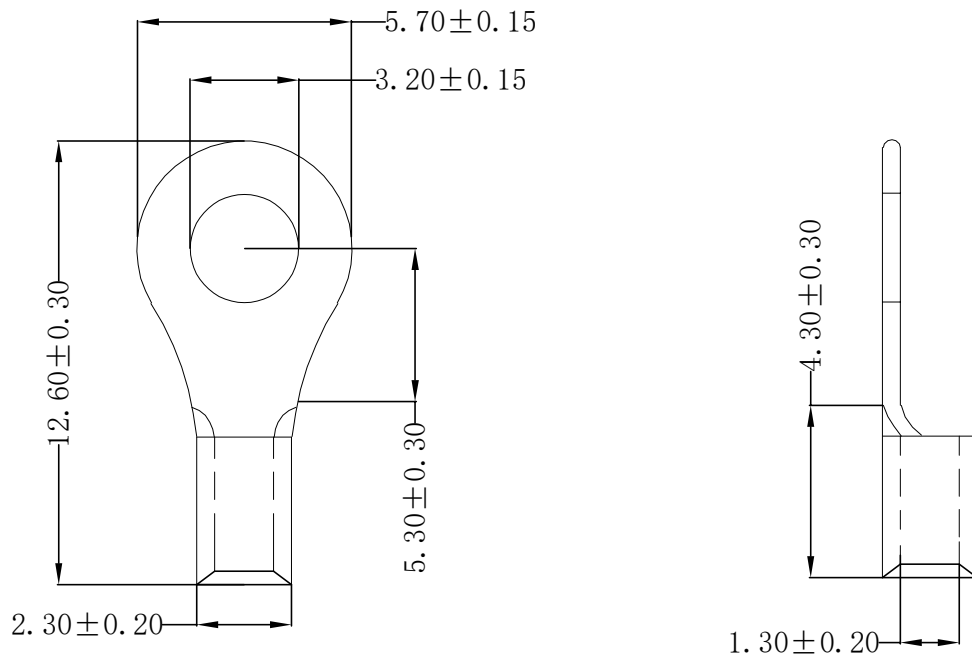




RoHS



**Technical requirements:**

- Material: Copper (紫铜)
- Applicable wire:  $0.2 \sim 0.75 \text{mm}^2$
- Surface treatment: Tin plating
- Plating thickness:  $2.5 \mu\text{m} \sim 5 \mu\text{m}$
- Coating temperature:  $120^\circ / 2\text{H}$
- Max Current: 10A
- USA Screw: #4
- Appearance: the body should not be scratched or oxidized
- Meet rosh and customer environmental requirements

					OPERATION	DRAW	YANG	2016.06.06	SCALE	—	 <b>SCONDAR</b> SCONDAR ELECTRONIC LIMITED	
					X.X ±0.35	DESIGN			UNIT	mm		
					X.XX ±0.25		CHECK	Lisa	2016.06.06	SIZE		A4
					X.XXX ±0.15		APPROVE			SHEET		1/1
REV	DATE	MODIFICATION DESCRIPTION	CHANGE	APPROVE	Angle ±3°	DIM	TOL	APPROVE	PROJ.		TITLE:	Terminal 320R copper Tin plated $0.2 \sim 0.75 \text{mm}^2$ wire, ID:3.20mm OD:5.70mm