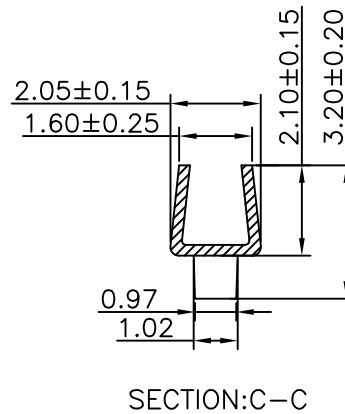
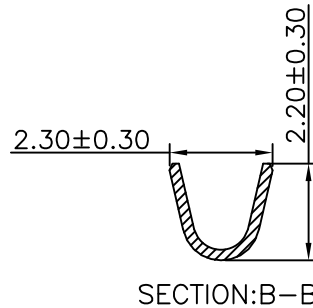
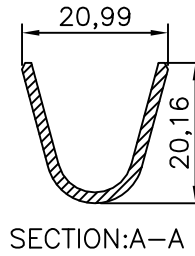
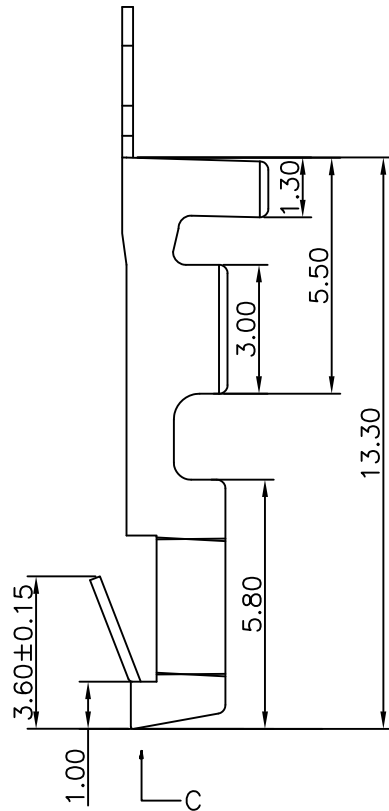
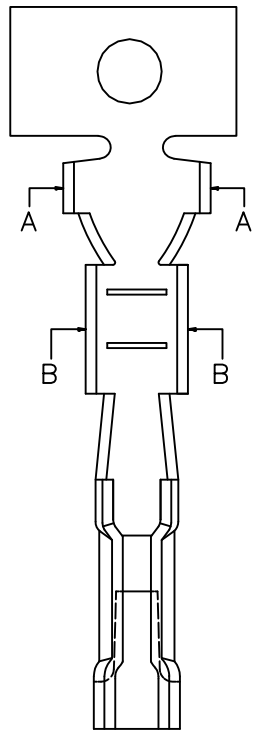


RoHS



Specification:

- Current Rating: 7A AC/DC
- Voltage Rating: 250V AC/DC
- Insulation Resistance: 1000MΩ(Min)
- Contact resistance: 20mΩ(Max).
- Withstanding Voltage: 1500VAC(Min)
- Operation Temperature: -25°C to +85°C

Material:

- Wire Range: 20AWG~26AWG
- Material: Brass
- Finish: Tin Plated
- Q'TY: 5,000PCS/Reel

Ordering Information


SCT7501T B S 109

Material:
B=Brass

Contact Plated
S=Tin Plated

东莞市晟凯达电子科技有限公司
工程专用章

受控

					OPERATION	DRAW	Peng	2021.07.12	SCALE	-	 SCONDAR ELECTRONIC LIMITED	
					X.X	±0.35			UNIT	mm		
					X.XX	±0.25			SIZE	A4		
A1	2021.07.12	Changed from SCT7501-TP to SCT7501TBS109			X.XXX	±0.15			SHEET	1/1	PART NO.	SCT7501TBS109
AO	2020.10.15	NEW			Angle	± 3'			PROJ.	☯	TITLE:	HJC2 Terminal
REV	DATE	MODIFICATION DESCRIPTION	CHANGE	APPROVE	DIM	TOL	APPROVE	Allen	2021.07.12			