

RoHS

Specification:

- Current Rating: 12A AC/DC
- Voltage Rating: 500V AC/DC
- Insulation Resistance: 1000MΩ Min
- Withstanding Voltage: 1500VAC(1Min)
- Operation Temperature: -25°C to +85°C
- Contact resistance: 20mΩ(Max)

Material:

- Insulator (Housing): Nylon 66 (UL94V-0)
- Color: Natural

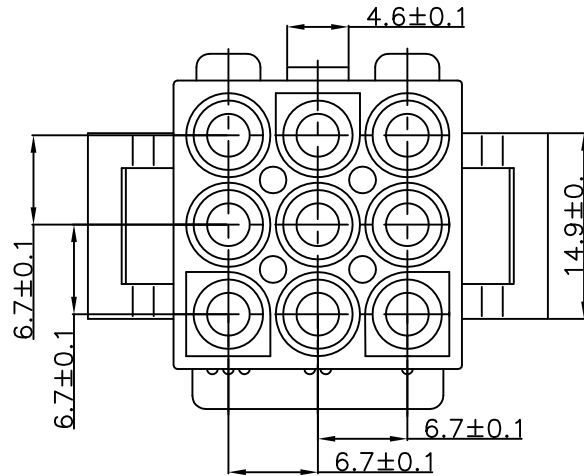
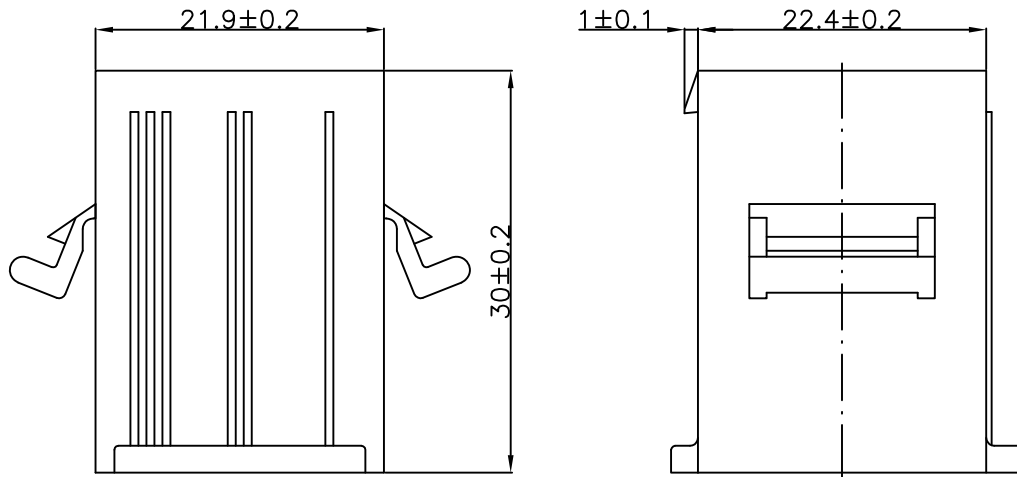
Ordering Information


SCT6700FH - 3x3 B NA 115

No. of Pins
3x3=9Pin

Insulation
B=Nylon 66

Color
NA=Natural



| | | | | | | | | | | | | |
|-----|------------|--|--------|---------|-----------|-------|-------|------------|-------|-----|--|--|
| | | | | | OPERATION | DRAW | Peng | 2006.05.02 | SCALE | - |  SCONDAR ELECTRONIC LIMITED | |
| | | | | | X.X | ±0.35 | | | UNIT | mm | | |
| A1 | 2021.07.12 | Changed from SCT6700FH-3x3P to SCT6700FH-3x3BNA115 | | | X.XX | ±0.25 | | | SIZE | A4 | | |
| AO | 2006.05.02 | NEW | | | X.XXX | ±0.15 | Lisa | 2006.05.02 | SHEET | 1/1 | | |
| REV | DATE | MODIFICATION DESCRIPTION | CHANGE | APPROVE | Angle | ± 3' | Allen | 2006.05.02 | PROJ. | ⊕ | PART NO. | SCT6700FH-3x3BNA115 |
| | | | | | DIM | TOL | | | | ⊕ | TITLE: | MX3191 3x3Pin Female Housing Connector |