

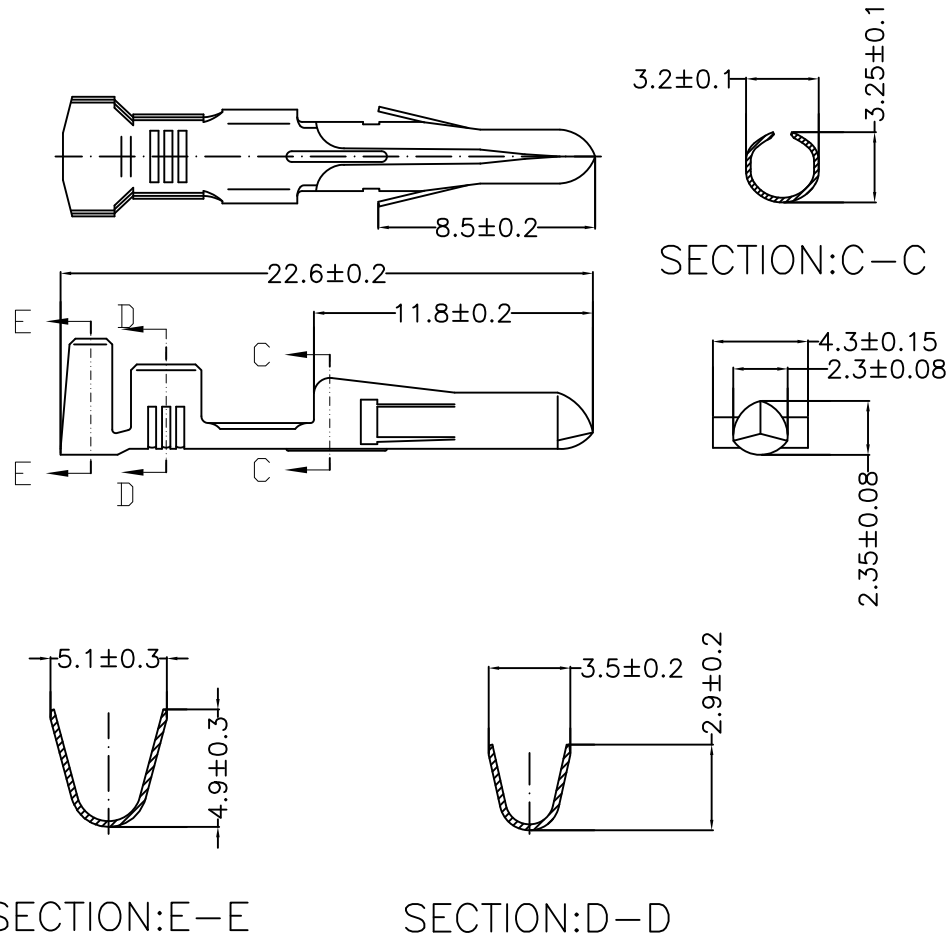
RoHS

Specification:

- Current Rating: 8-12A AC/DC
- Voltage Rating: 500V AC/DC
- Insulation Resistance: 1000MΩ(Min)
- Contact resistance: 20mΩ(Max).
- Withstanding Voltage: 1500VAC(Min)
- Operation Temperature: -25°C to +85°C

Material:


- Wire Range:16~20AWG(OD:3.1Max)
- Material: Phosphor Bronze
- Finish: Tin Plated



Ordering Information

SCT6700MT P S 115

Material:
P=Phosphor.Bronze Contact Plated
S=Tin Flash

| | | | | | | | | | | | | | |
|-----|------------|--|--------|---------|--------------|-------------|---------|------------|----------------------|------|---|----------|----------------|
| | | | | | OPERATION | DRAW | Peng | 2021.07.12 | SCALE | - |  SCONDAR ELECTRONIC LIMITED | | |
| | | | | | X.X ±0.35 | DESIGN | | | UNIT | mm | | | |
| A1 | 2021.07.12 | Changed from SCT6700MT to SCT6700MTPS115 | | | X.XX ±0.25 | | CHECK | Lisa | 2021.07.12 | SIZE | | A4 | |
| AO | 2018.03.03 | NEW | | | X.XXX ±0.15 | APPROVE | Allen | 2021.07.12 | SHEET | 1/1 | | PART NO. | SCT6700MTPS115 |
| REV | DATE | MODIFICATION DESCRIPTION | CHANGE | APPROVE | Angle DIM | ± 3' TOL | PROJECT | TITLE: | MX3191 Male Terminal | | | | |