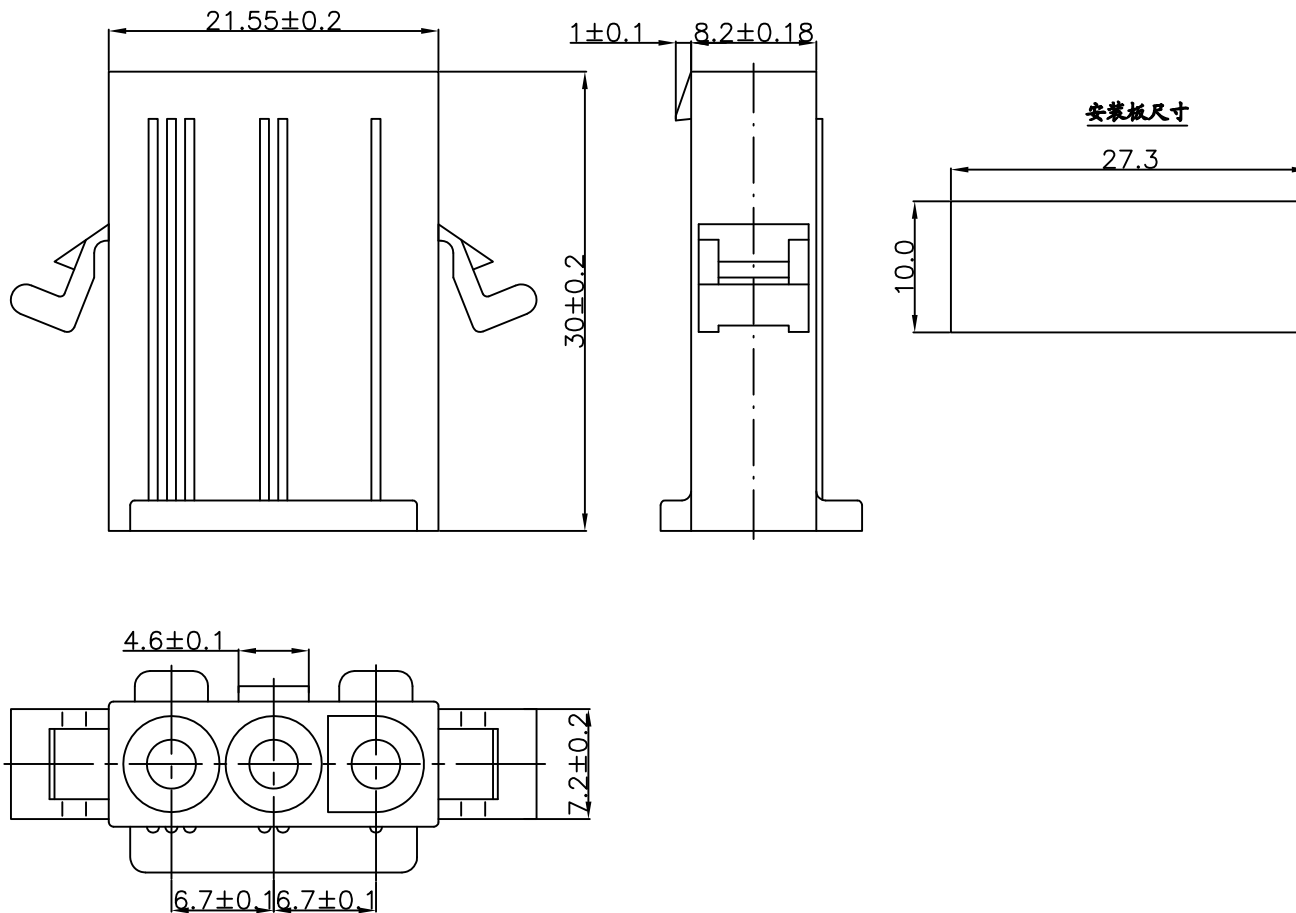


RoHS



Specification:

- Current Rating: 12A AC/DC
- Voltage Rating: 500V AC/DC
- Insulation Resistance: 1000MΩ Min
- Withstanding Voltage: 1500VAC(1Min)
- Operation Temperature: -25°C to +85°C
- Contact resistance: 20mΩ(Max)

Material:

- Insulator (Housing): Nylon 66 (UL94V-0)
- Color: Natural


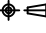
Ordering Information

SCT6700FH - 03 B NA 115

No.of Pins
03=03Pin

Insulation
B=Nylon 66

Color
NA=Natural

					OPERATION	DRAW	Peng	2006.05.02	SCALE	-	 SCONDAR ELECTRONIC LIMITED	
					X.X ±0.35	DESIGN			UNIT	mm		
	A1	2021.07.12	Changed from SCT6700FH-03P to SCT6700FH-03BNA115		X.XX ±0.25		CHECK	Lisa	2006.05.02	SIZE		A4
	AO	2006.05.02	NEW		X.XXX ±0.15	APPROVE	Allen	2006.05.02	SHEET	1/1		PART NO.
REV	DATE	MODIFICATION DESCRIPTION		CHANGE	APPROVE				PROJ.		TITLE:	MX3191 3Pin Female Housing Connector