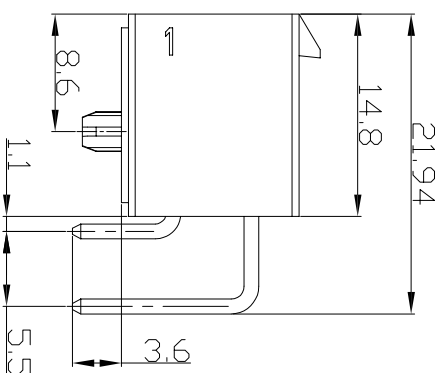
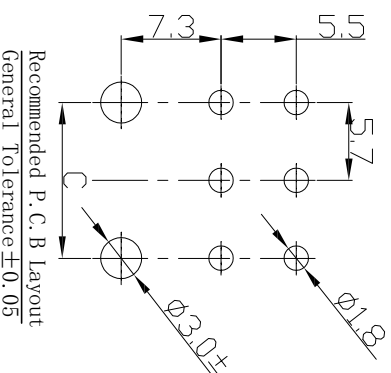
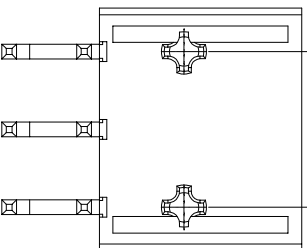
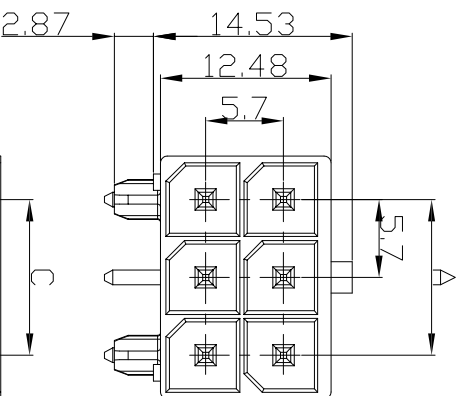
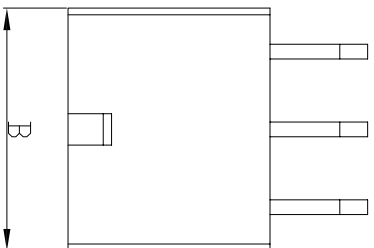


ROHS



- Specification:
- Voltage Rating: 600V AC/DC
 - Insulation Resistance: 100M Ω Min
 - Withstanding Voltage: 2200VAC (1Min)
 - Contact resistance: 10m Ω (Max).
 - Operation Temperature: -40 $^{\circ}$ C to +105 $^{\circ}$ C
- Material:
- Insulator (Housing) : LCP (UL94V-0)
 - Color: Black
 - Material: Brass
 - Finish: Tin Plated

Ordering Information

SCT5702WRF -2xx F 3 Black 173

No.of Pins Insulation Package Color
See Table F=LCP V0 3=Triay BK=Black

Dimensions			Part NO		PIN
A	B	C			
/	8.35	/	SCT5702WRF-201F3BK173		2*1
5.70	12.05	/	SCT5702WRF-202F3BK173		2*2
11.40	17.75	11.40	SCT5702WRF-203F3BK173		2*3
17.10	23.45	17.10	SCT5702WRF-204F3BK173		2*4
22.80	29.15	22.80	SCT5702WRF-205F3BK173		2*5
28.50	34.85	28.50	SCT5702WRF-206F3BK173		2*6



SCONDAR ELECTRONIC LIMITED

REV	DATE	MODIFICATION DESCRIPTION	CHANGE	APPROVE	OPERATION	DRAW	ZUO	2016.06.06	SCALE	UNIT	SHEET	PROJ.	TITLE:
A0	2016.06.06	NEW			X.X ± 0.30	DESIGN	ZHONG	2016.06.06	mm	A4	1/1	SC15702WRF-2xxF3BK173	5.70mm Pitch DIP Dual Row Right angle Through Hole PCB Header 2x3Pin LCP V0 Black Fin(Sb) Plating Tray 3.65mm PC Tail Length MQ=0.5KES