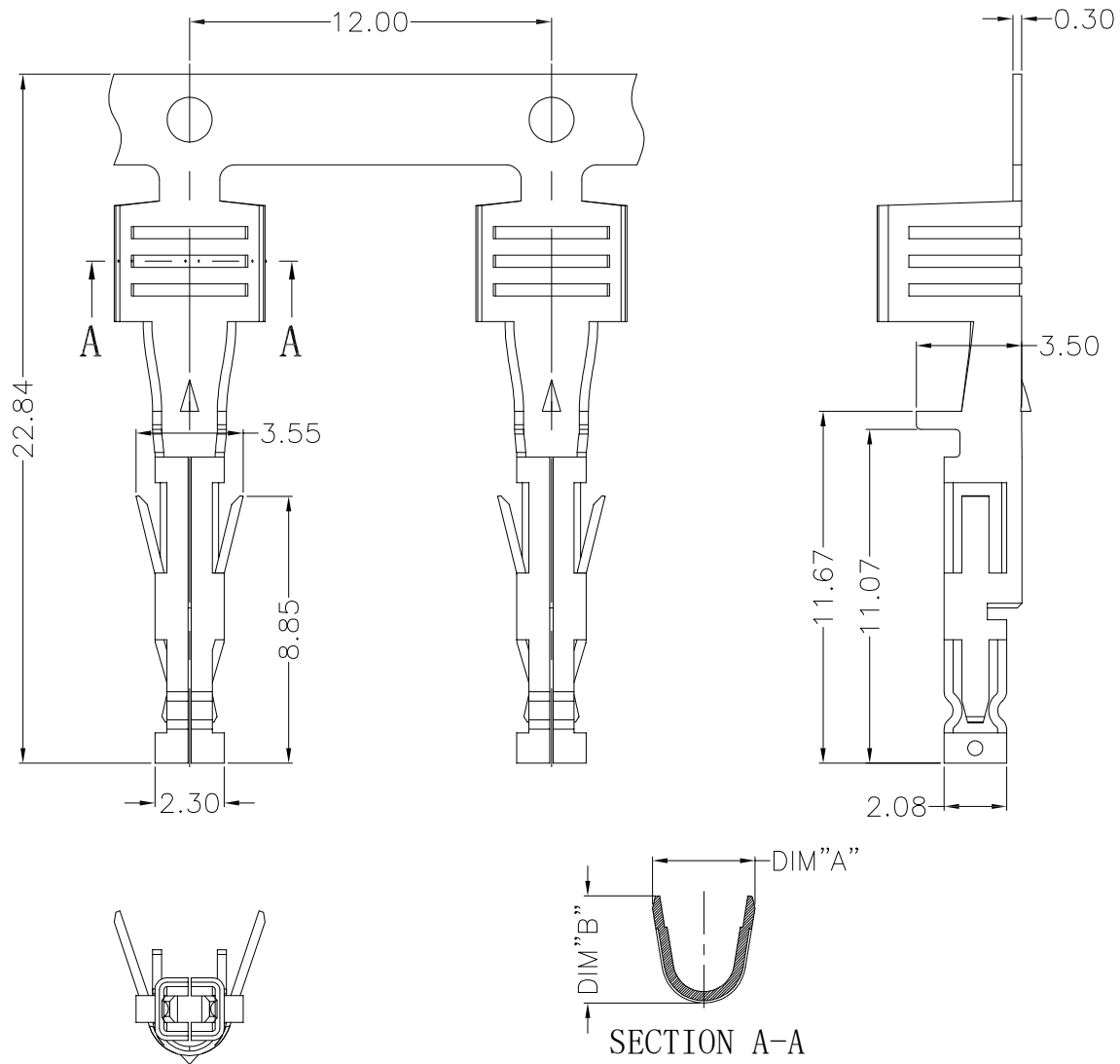


RoHS



Specification:

- Voltage Rating: 600V AC/DC
- Insulation Resistance: 100MΩ Min
- Withstanding Voltage: 2200VAC (1Min)
- Contact resistance: 10mΩ (Max).
- Operation Temperature: -40°C to +105°C

Material:


- Applicable Wire: AWG#12-#16
- Material: Brass T=0.30mm
- Finish: Tin Plated

Ordering Information

SCT5702Tx B S 173

Material Brass Contact Plated S=Tin plated

Part NO	Wire range	DIM A	DIM B
SCT5702TLBS173	#14~#16	3.40	3.55
SCT5702TABS173	#12	5.00	4.80

					OPERATION	DRAW	ZUO	2016.06.06	SCALE	—	 SCONDAR ELECTRONIC LIMITED	
					X.X ±0.30	DESIGN			UNIT	mm		
					X.XX ±0.20	CHECK	Lisa	2016.06.06	SIZE	A4		
					X.XXX ±0.10	APPROVE			SHEET	1/1		Part No
REV	DATE	MODIFICATION DESCRIPTION	CHANGE	APPROVE	Angle ±3°	APPROVE			PROJ.	⌀	TITLE:	5.70mm Pitch for SCT5702H Crimp Terminal Brass Tin (Sn) Plating 12-16AWG Re MPQ=2.5Kpcs