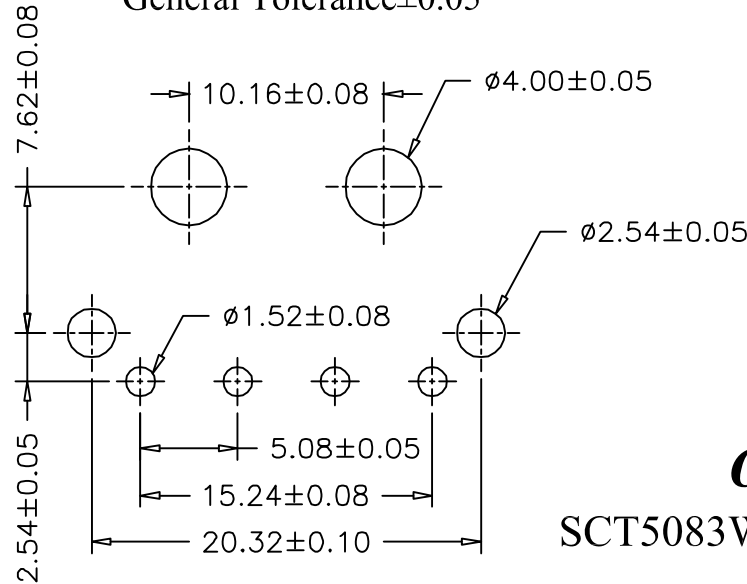
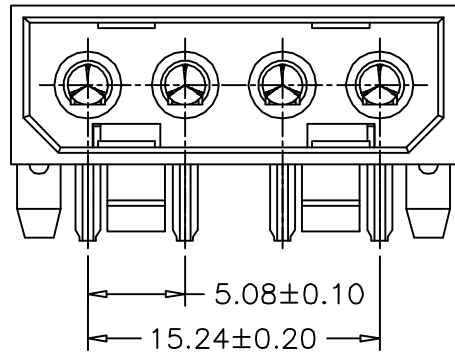


RoHS

Recommended P.C.B Layout
General Tolerance±0.05



Specification:

- Current Rating: 10A AC/DC
- Voltage Rating: 250V AC/DC
- Insulation Resistance: 1000MΩ Min
- Withstanding Voltage: 1500VAC(1Min)
- Operation Temperature: -25°C to +85°C
- Contact resistance: 20mΩ(Max)

Material:

- Insulator (Housing): Nylon 66 (UL94V-2)
- Pin:Brass,Tin Plated
- Color: White

Ordering Information

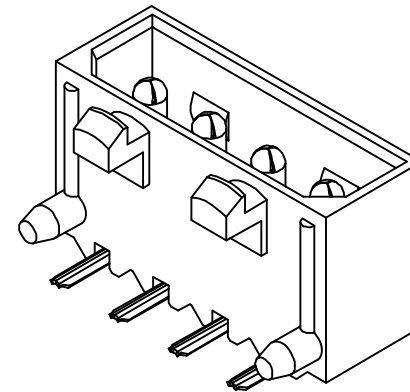
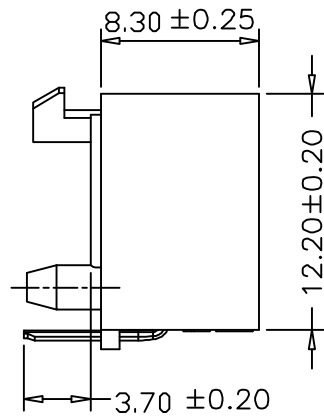
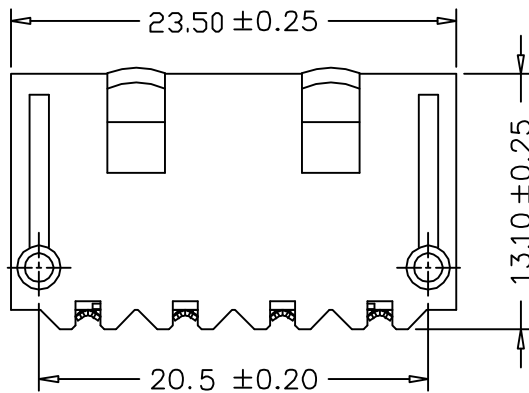
SCT5083WRAF - 04 C 0 WT 103

No.of Pins
See Table

Material
C=PA66 V2

Package
0=PE Bag

Color
WT=White



东莞市晟凯达电子科技有限公司
工程专用章

受控

					OPERATION	DRAW	Peng	2021.07.12	SCALE	-	 SCONDAR ELECTRONIC LIMITED	
					X.X ±0.35	DESIGN			UNIT	mm		
					X.XX ±0.25		CHECK	Lisa	2021.07.12	SIZE		A4
					X.XXX ±0.15	APPROVE	Allen	2021.07.12	SHEET	1/1		PART NO.
A1	2021.07.12	Changed from SCT5083WRAF-04P to SCT5083WRAF-04COWT103			Angle ± 3'				PROJ.	⌀	TITLE:	MOLEX8981 90° Wafer Connector
AO	2006.05.02	NEW			DIM TOL							
REV	DATE	MODIFICATION DESCRIPTION		CHANGE	APPROVE							