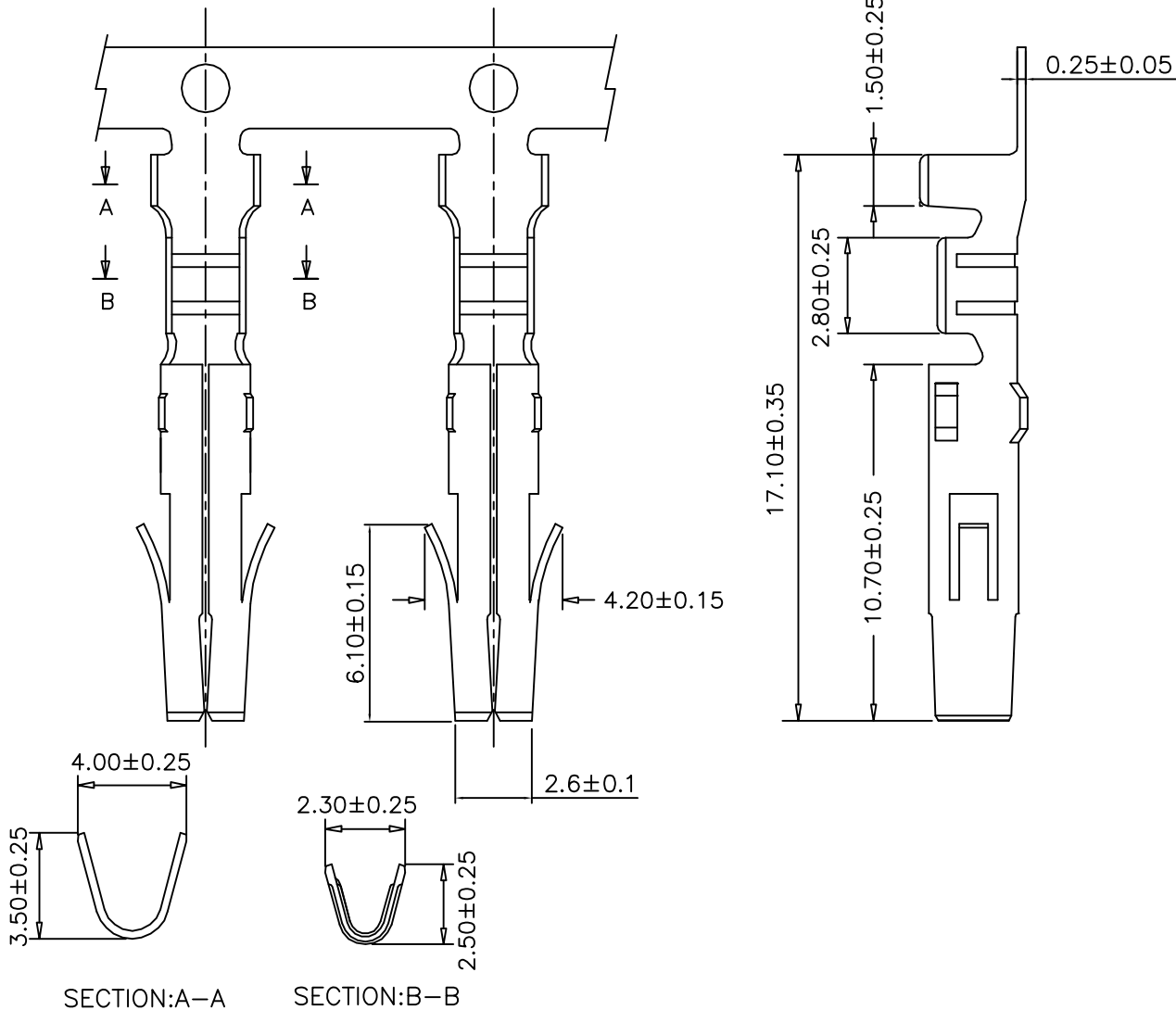


RoHS



**Specification:**

- Current Rating: 10A AC/DC
- Voltage Rating: 250V AC/DC
- Insulation Resistance: 1000MΩ(Min)
- Contact resistance: 20mΩ(Max).
- Withstanding Voltage: 1500VAC(Min)
- Operation Temperature: -25°C to +85°C

**Material:**


- Wire Range:14-22AWG(OD:3.3mm Max)
- Material: Brass, T=0.25mm
- Finish: Tin Plated
- Q'TY: =7,000Pcs/Reel

**Ordering Information**

SCT5083FT **B** **S** 134

Material:  
B=Brass

Contact Plated  
S=Tin Flash

						OPERATION	DRAW	Peng	2021.07.12	SCALE	-	 SCONDAR ELECTRONIC LIMITED	
						X.X ±0.35	DESIGN			UNIT	mm		
						X.XX ±0.25				SIZE	A4		
A1	2021.07.12	Changed from SCT5083-FT to SCT5083FTBS134				X.XXX ±0.15	CHECK	Lisa	2021.07.12	SHEET	1/1	PART NO.	SCT5083FTBS134
AO	2018.03.03	NEW				Angle ± 3'	APPROVE	Allen	2021.07.12	PROJ.	☯	TITLE:	MOLEX8981 Female Terminal
REV	DATE	MODIFICATION DESCRIPTION	CHANGE	APPROVE	DIM	TOL							