

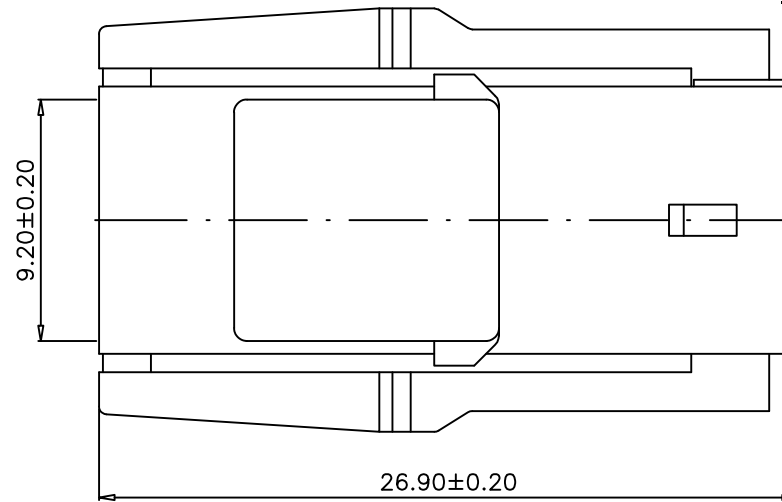
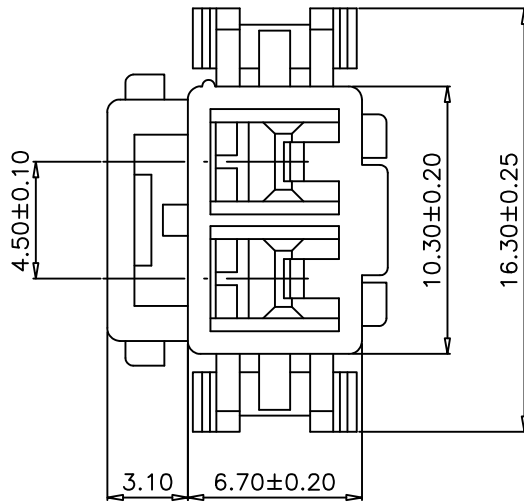
RoHS

Specification:

- Current Rating: 10A AC/DC
- Voltage Rating: 300V AC/DC
- Insulation Resistance: 1000MΩ Min
- Withstanding Voltage: 1500VAC(1Min)
- Contact resistance: 20mΩ Max
- Operation Temperature: -25°C to +85°C

Material:

- Insulator (Housing): Nylon 66 (UL94V-0)
- Color: White




Ordering Information
SCT4504FH -02 B WT 115

No.of Pins
02=2Pin

Insulation
B=PA66 V0

Color
WT=White

					OPERATION	DRAW	Peng	2021.07.10	SCALE	-	 SCONDAR ELECTRONIC LIMITED
					X.X	±0.35			UNIT	mm	
A1	2021.07.10	Changed from SCT4504FH-02P to SCT4504FH-02BWT115			X.XX	±0.25			SIZE	A4	
AO	2019.10.15	NEW			X.XXX	±0.15	Lisa	2021.07.10	SHEET	1/1	
REV	DATE	MODIFICATION DESCRIPTION	CHANGE	APPROVE	Angle	± 3'			PART NO.	SCT4504FH-02BWT115	⚠
					DIM	TOL	APPROVE	Allen	2021.07.10	PROJ.	⊕
									TITLE:	YL4.5 Female Housing Connector	