

RoHS

Specification:

- Current Rating: 10A AC/DC
- Voltage Rating: 300V AC/DC
- Insulation Resistance: 1000MΩ Min
- Withstanding Voltage: 1500VAC(1Min)
- Contact resistance: 20mΩ Max
- Operation Temperature: -25°C to +85°C

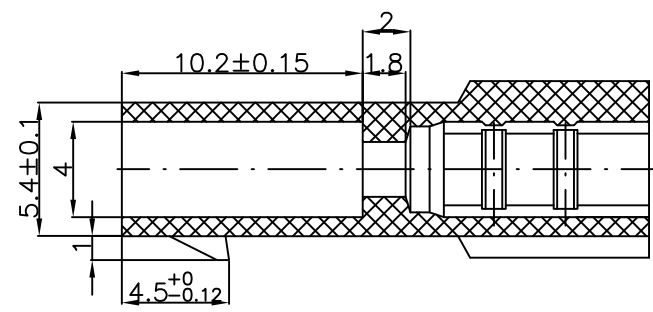
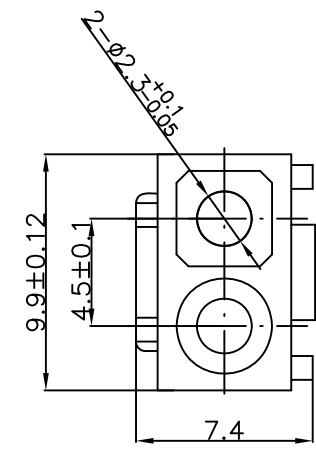
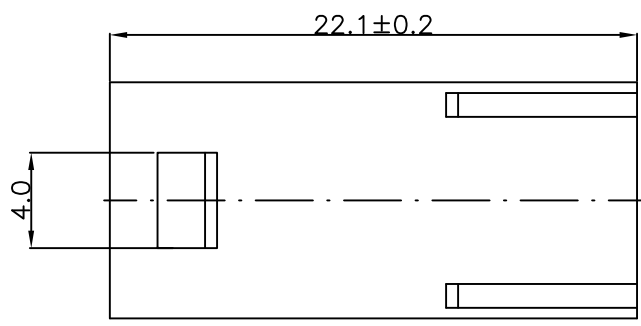
Material:


- Insulator (Housing): Nylon 66 (UL94V-0)
- Color: White

Ordering Information

SCT4501FH -02 B WT 115

No.of Pins
02=2Pin
Insulation
B=PA66 V0
Color
WT=White



					OPERATION	DRAW	Peng	2021.07.10	SCALE	-	 SCONDAR ELECTRONIC LIMITED	
				X.X	±0.35	DESIGN			UNIT	mm		
A1	2021.07.10	Changed from SCT4501FH-02P to SCT4501FH-02BWT115		X.XX	±0.25		CHECK	Lisa	2021.07.10	SIZE		A4
AO	2019.10.15	NEW		X.XXX	±0.15	APPROVE	Allen	2021.07.10	SHEET	1/1		PART NO.
REV	DATE	MODIFICATION DESCRIPTION		CHANGE	APPROVE				PROJ.	⌀	TITLE:	CL4.5 Female Housing Connector