

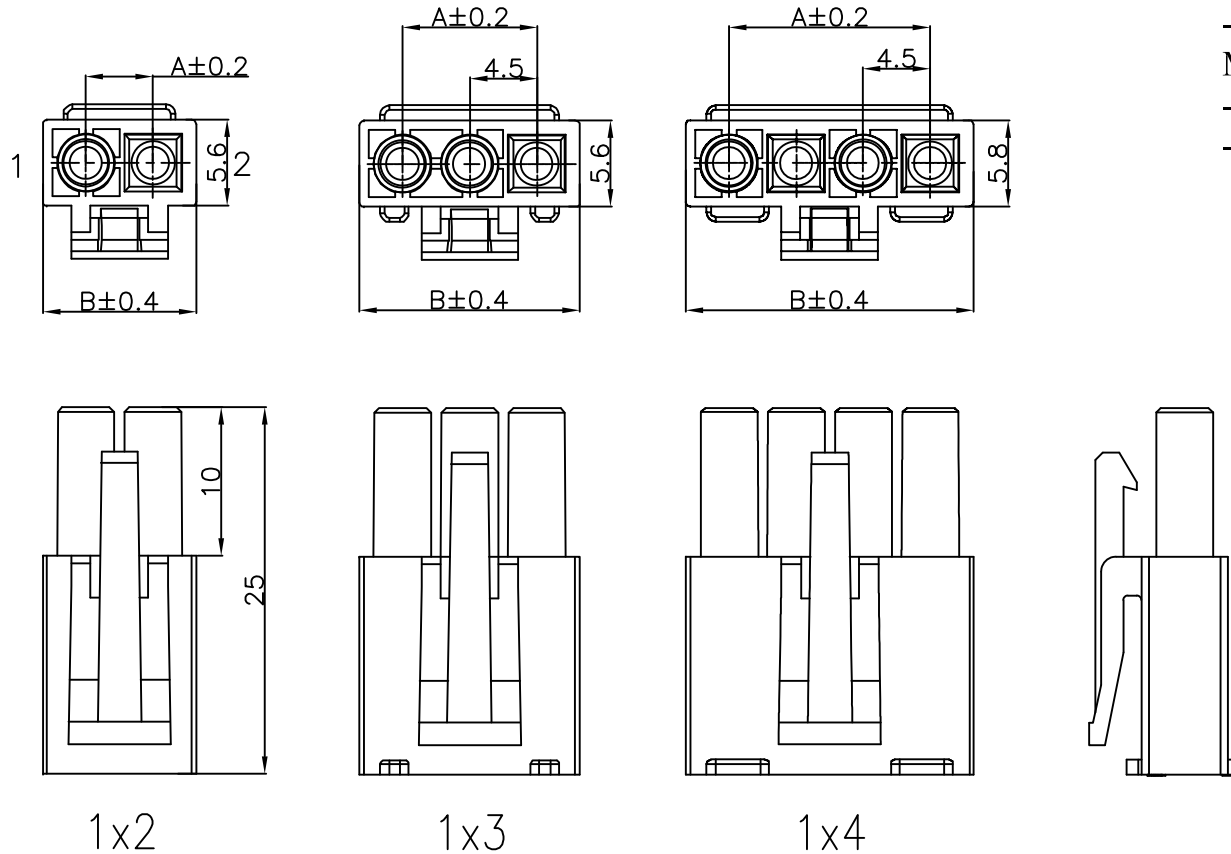
RoHS

Specification:

- Current Rating: 10A AC/DC
- Voltage Rating: 300V AC/DC
- Insulation Resistance: 1000MΩ Min
- Withstanding Voltage: 1500VAC(1Min)
- Contact resistance: 10mΩ Max
- Operation Temperature: -25°C to +85°C

Material:

- Insulator (Housing): Nylon 66 (UL94V-0)
- Color: White



Ordering Information


SCT4500MH -xx B WT 102

No. of Pins
See Table

Insulation
B=PA66 V0

Color
WT=White

4	13.50	19.30
3	9.00	14.80
2	4.50	10.30
Poles	A	B
	Dimensions	

					OPERATION	DRAW	Peng	2021.07.10	SCALE	-	 SCONDAR ELECTRONIC LIMITED		
					X.X ±0.35	DESIGN			UNIT	mm			
A1	2021.07.10	Changed from SCT4500MH-xxP to SCT4500MH-xxBWT102			X.XX ±0.25		CHECK	Lisa	2021.07.10	SIZE		A4	
AO	2019.10.15	NEW			X.XXX ±0.15	APPROVE			SHEET	1/1	PART NO.	SCT4500MH-xxBWT102	⚠
REV	DATE	MODIFICATION DESCRIPTION		CHANGE	APPROVE		ALL	Allen	2021.07.10	PROJ.	⊕	TITLE:	EL4.5 Male Housing Connector