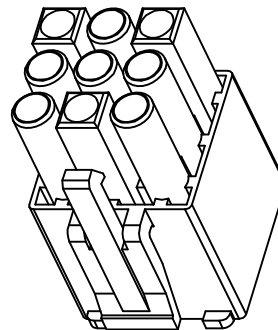
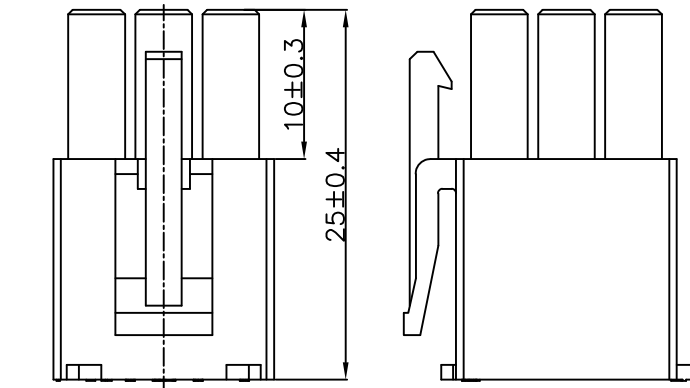
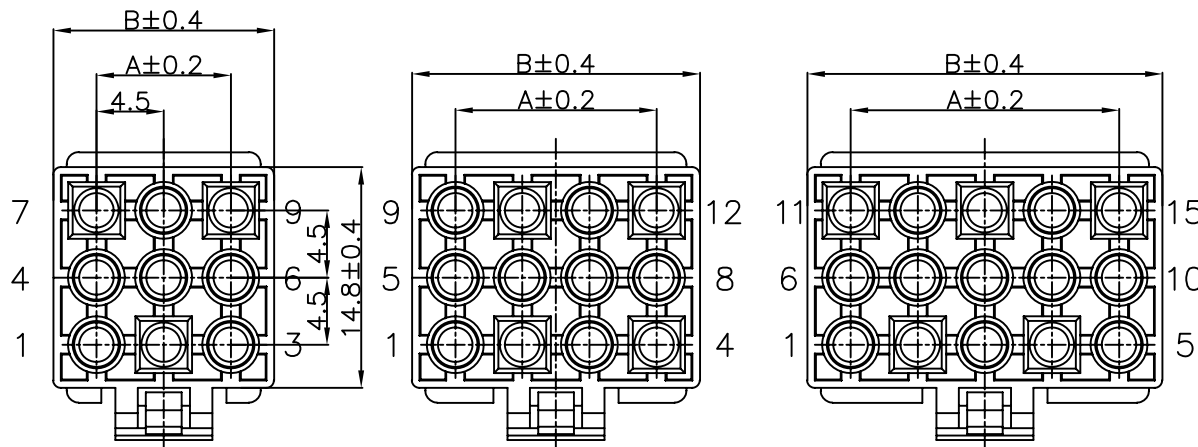


RoHS



3D图示(参考)

Specification:

- Current Rating: 6A AC/DC
- Voltage Rating: 300V AC/DC
- Insulation Resistance: 1000MΩ Min
- Withstanding Voltage: 1500VAC(1Min)
- Contact resistance: 10mΩ Max
- Operation Temperature: -25℃ to +85℃

Material:

- Insulator (Housing): Nylon 66 (UL94V-0)
- Color: White

Ordering Information

SCT4500MH -3xx B WT 102

No.of Pins  
See Table

Insulation  
B=PA66 V0

Color  
WT=White

3x5	18.00	24.00
3x4	13.50	19.30
3x3	9.00	14.80
Poles	A	B
	Dimensions	

					OPERATION	DRAW	Peng	2021.07.10	SCALE	-	 SCONDAR ELECTRONIC LIMITED	
					X.X ±0.35	DESIGN			UNIT	mm		
A1	2021.07.10	Changed from SCT4500MH-3xxP to SCT4500MH-3xxBWT102			X.XX ±0.25	CHECK	Lisa	2021.07.10	SIZE	A4		
AO	2019.10.15	NEW			X.XXX ±0.15	APPROVE	Allen	2021.07.10	SHEET	1/1		PART NO.
REV	DATE	MODIFICATION DESCRIPTION		CHANGE	APPROVE	DIM	TOL		PROJ.		TITLE:	EL4.5 Male Housing Connector