

RoHS

Specification:

- Current Rating: 10A AC/DC
- Voltage Rating: 300V AC/DC
- Insulation Resistance: 1000MΩ Min
- Withstanding Voltage: 1500VAC(1Min)
- Contact resistance: 10mΩ Max
- Operation Temperature: -25°C to +85°C

Material:

- Insulator (Housing): Nylon 66 (UL94V-0)
- Color: White

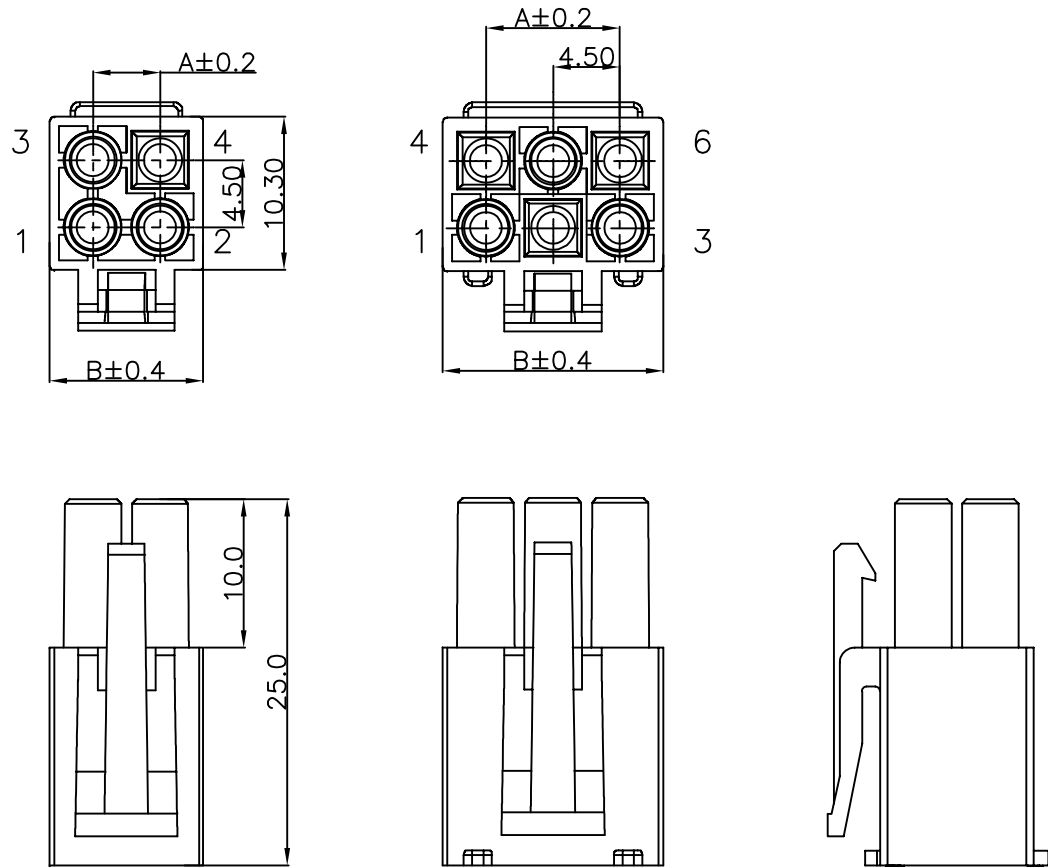
Ordering Information

SCT4500MH -2xx B WT 102


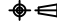
No. of Pins
See Table

Insulation
B=PA66 V0

Color
WT=White



2x3	9.00	14.80
2x2	4.50	10.30
Poles	A	B
	Dimensions	

					OPERATION	DRAW	Peng	2021.07.10	SCALE	-	 SCONDAR ELECTRONIC LIMITED	
					X.X	±0.35			UNIT	mm		
A1	2021.07.10	Changed from SCT4500MH-2xxP to SCT4500MH-2xxBWT102			X.XX	±0.25			SIZE	A4		
AO	2019.10.15	NEW			X.XXX	±0.15		2021.07.10	SHEET	1/1		PART NO.
REV	DATE	MODIFICATION DESCRIPTION		CHANGE	APPROVE	Angle	± 3'	2021.07.10	PROJ.		TITLE:	EL4.5 Male Housing Connector