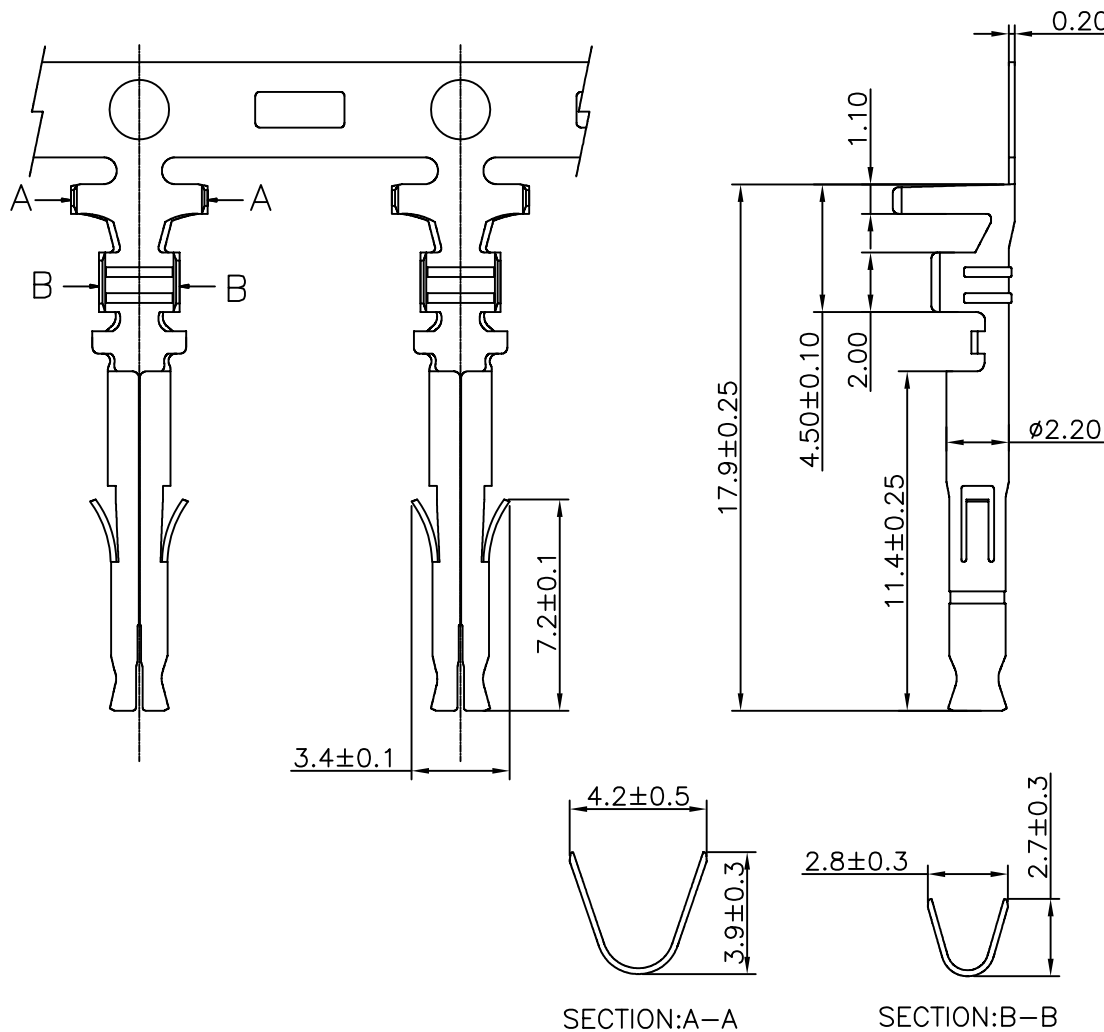


RoHS



Specification:

- Current Rating: 10A AC/DC
- Voltage Rating: 300V AC/DC
- Insulation Resistance: 1000MΩ(Min)
- Contact resistance: 0.01Ω(Max).
- Withstanding Voltage: 1500VAC(Min)
- Operation Temperature: -25°C to +85°C

Material:


- Wire Range:24~16AWG
- Material: Phosphor Bronze, T=0.20mm
- Finish: Tin Plated
- Q'TY: 5000PCS/Reel

Ordering Information

SCT4500FT P S 102

Material:  
P=Phosphor Bronze

Contact Plated  
S=Tin Flash

					OPERATION	DRAW	Peng	2021.07.10	SCALE	-	 SCONDAR ELECTRONIC LIMITED	
					X.X ±0.35	DESIGN			UNIT	mm		
					X.XX ±0.25		CHECK	Lisa	2021.07.10	SIZE		A4
A1	2021.07.10	Changed from SCT4500-FT to SCT4500FTPS102			X.XXX ±0.15	APPROVE	Allen	2021.07.10	SHEET	1/1	PART NO.	SCT4500FTPS102
AO	2018.03.03	NEW			Angle ± 3'				PROJ.	⊕	TITLE:	EL4.5 Female Terminal
REV	DATE	MODIFICATION DESCRIPTION	CHANGE	APPROVE	DIM	TOL						