

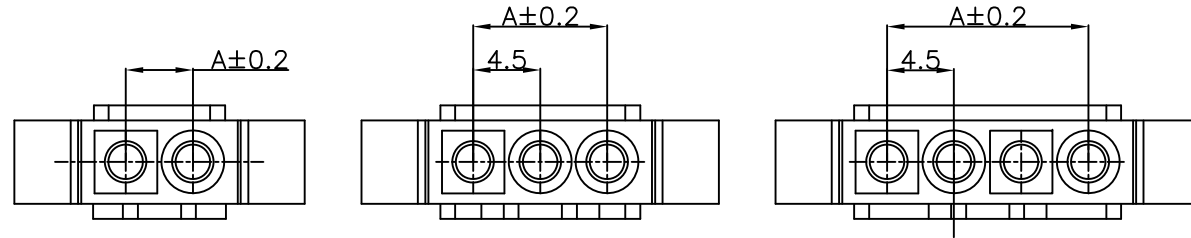
RoHS

Specification:

- Current Rating: 10A AC/DC
- Voltage Rating: 300V AC/DC
- Insulation Resistance: 1000MΩ Min
- Withstanding Voltage: 1500VAC(1Min)
- Contact resistance: 10mΩ Max
- Operation Temperature: -25°C to +85°C

Material:

- Insulator (Housing): Nylon 66 (UL94V-0)
- Color: White



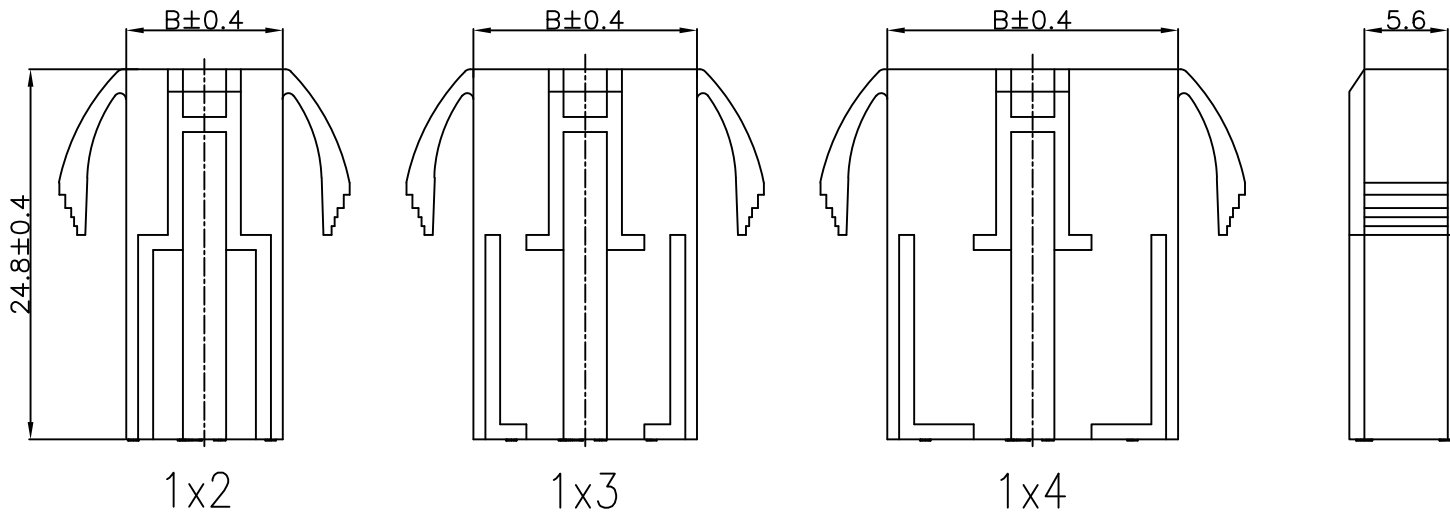
Ordering Information

SCT4500FH -xx B WT 102



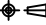
No. of Pins
See Table

Insulation
B=PA66 V0

Color
WT=White



4	13.50	19.30
3	9.00	14.80
2	4.50	10.30
Poles	A	B
	Dimensions	

					OPERATION	DRAW	Peng	2021.07.10	SCALE	-	 SCONDAR ELECTRONIC LIMITED
					X.X	±0.35			UNIT	mm	
A1	2021.07.10	Changed from SCT4500FH-xxP to SCT4500FH-xxBWT102			X.XX	±0.25			SIZE	A4	
AO	2019.10.15	NEW			X.XXX	±0.15	Lisa	2021.07.10	SHEET	1/1	
REV	DATE	MODIFICATION DESCRIPTION	CHANGE	APPROVE	Angle	± 3'			PART NO.	SCT4500FH-xxBWT102	
					DIM	TOL	APPROVE	Allen	2021.07.10	PROJ.	 TITLE: EL4.5 Female Housing Connector