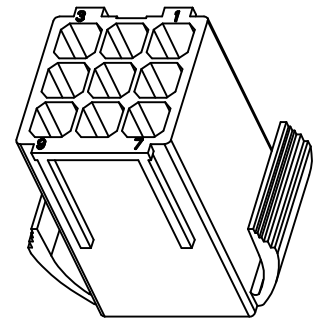
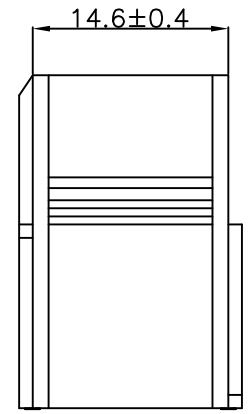
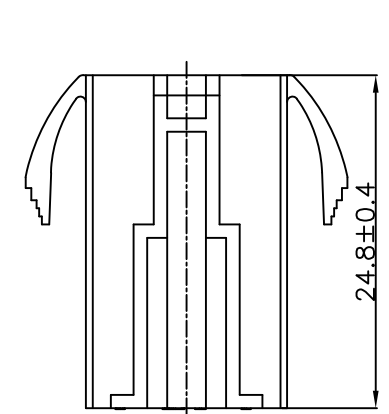
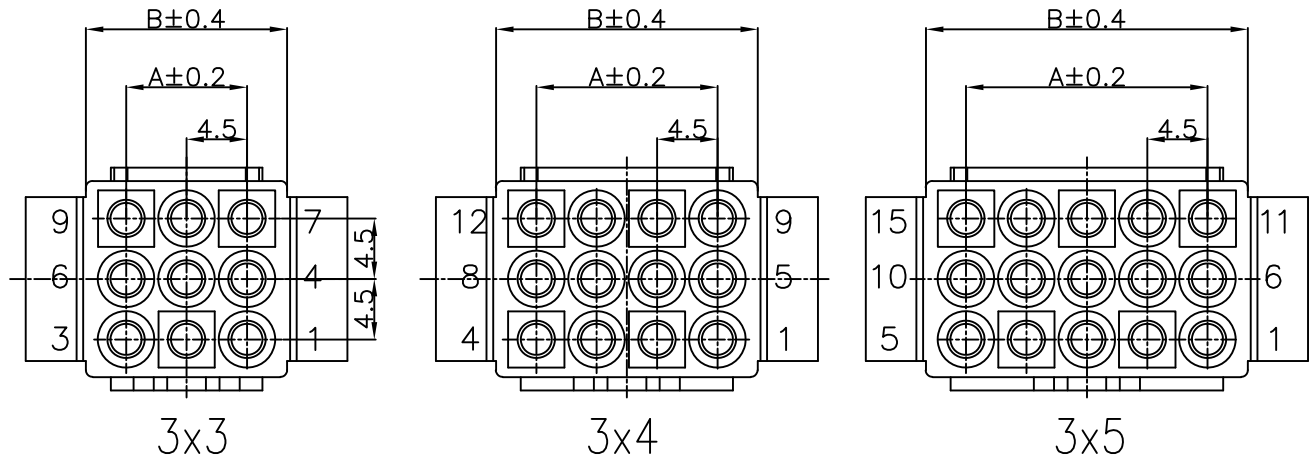


RoHS



3D图示(参考)

Specification:

- Current Rating: 10A AC/DC
- Voltage Rating: 300V AC/DC
- Insulation Resistance: 1000MΩ Min
- Withstanding Voltage: 1500VAC(1Min)
- Contact resistance: 10mΩ Max
- Operation Temperature: -25℃ to +85℃

Material:

- Insulator (Housing): Nylon 66 (UL94V-0)
- Color: White

Ordering Information

SCT4500FH -3xx B WT 102

No. of Pins See Table      Insulation B=PA66 V0      Color WT=White

3x5	18.00	24.00
3x4	13.50	19.50
3x3	9.00	15.00
Poles	A	B
	Dimensions	

					OPERATION	DRAW	Peng	2021.07.10	SCALE	-	 SCONDAR ELECTRONIC LIMITED
					X.X	±0.35			UNIT	mm	
A1	2021.07.10	Changed from SCT4500FH-3xxP to SCT4500FH-3xxBWT102			X.XX	±0.25			SIZE	A4	
AO	2019.10.15	NEW			X.XXX	±0.15	Lisa	2021.07.10	SHEET	1/1	
REV	DATE	MODIFICATION DESCRIPTION			CHANGE	APPROVE	Allen	2021.07.10	PROJ.	 TITLE:	SCT4500FH-3xxBWT102