

RoHS

**Recommended P.C.B Layout**  
General Tolerance±0.05

**Specification:**

- Current Rating: 9A AC/DC
- Voltage Rating: 600V AC/DC
- Insulation Resistance: 1000MΩ(Min)
- Contact resistance: 20mΩ(Max).
- Withstanding Voltage: 1500VAC(Min)
- Operation Temperature: -25°C to +85°C

**Material:**

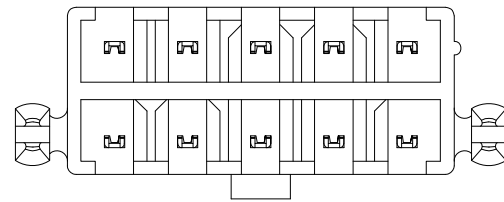
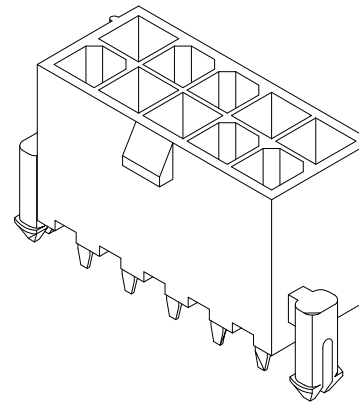
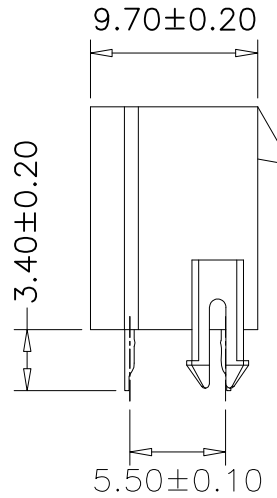
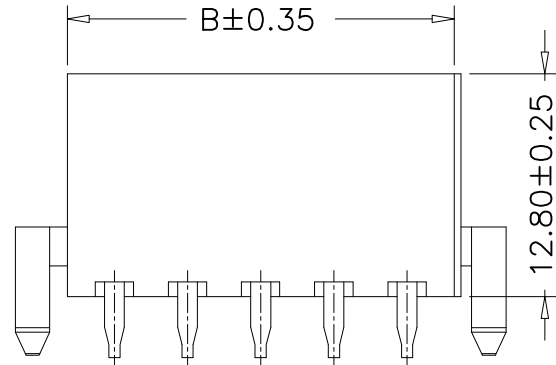
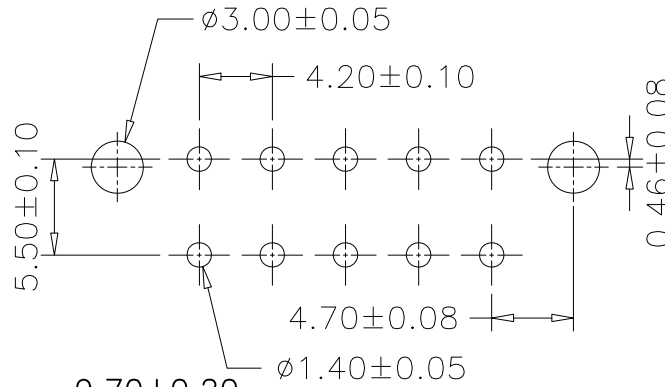
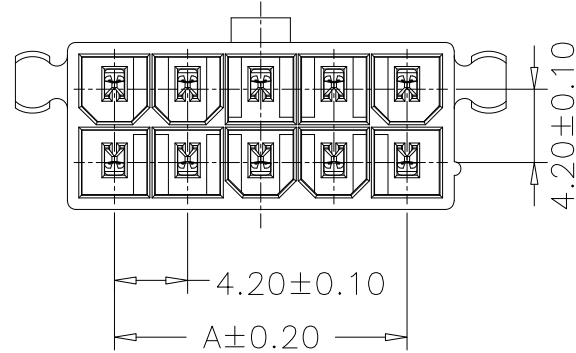
- Insulator Material: Nylon 66(UL94V-2)
- Contact Material: Brass
- Finish: Tin Plated
- Color: Natural

**Ordering Information**

SCT4201WVAF-2xx C 0 NA 103

No.of Pins See Table  
Material C=PA66 V2  
Package 0=PE Bag  
Color NA=Natural

2x09	33.60	39.20			
2x08	29.40	35.00			
2x07	25.20	30.80			
2x06	21.00	26.60			
2x05	16.80	22.40			
2x04	12.60	18.20			
2x03	8.40	14.00	2x12	46.20	51.80
2x02	4.20	9.60	2x11	42.00	47.60
2x01	—	5.60	2x10	37.80	43.40
Poles	A	B	Poles	A	B
	Dimensions			Dimensions	



REV	DATE	MODIFICATION DESCRIPTION	CHANGE	APPROVE	OPERATION	DRAW	Peng	2021.07.10	SCALE	—	 SCONDAR ELECTRONIC LIMITED		
A1	2021.07.10	Changed from SCT4201WVA-F-2XXP to SCT4201WVAF-2xxC0NA103	—	—	X.X	±0.35			UNIT	mm			
AO	2020.03.03	NEW	—	—	X.XX	±0.25			SIZE	A4			
					X.XXX	±0.15			SHEET	1/1			
					Angle	± 3'			PART NO.	SCT4201WVAF-2xxC0NA103	⚠		
					DIM	TOL	APPROVE	Allen	2021.07.10	PROJ.	⊕	TITLE:	MX4.2 180° Wafer