

RoHS

Recommended P.C.B Layout
General Tolerance±0.05

Specification:

- Current Rating: 9A AC/DC
- Voltage Rating: 600V AC/DC
- Insulation Resistance: 1000MΩ(Min)
- Contact resistance: 20mΩ(Max).
- Withstanding Voltage: 1500VAC(Min)
- Operation Temperature: -25°C to +85°C

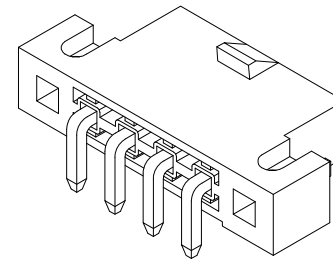
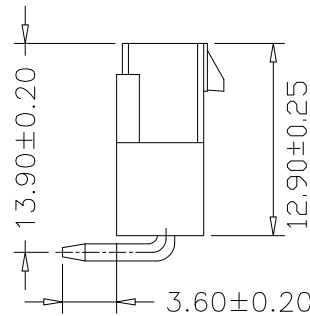
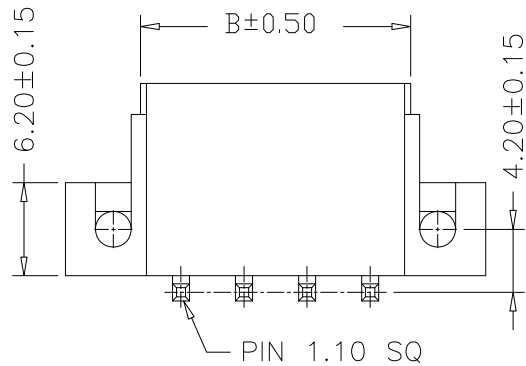
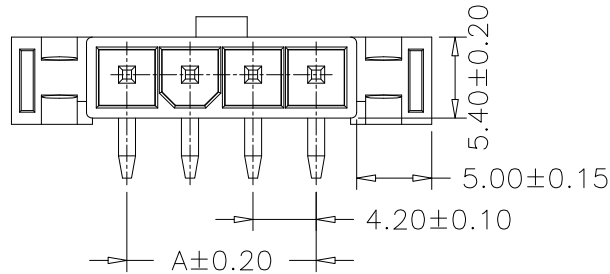
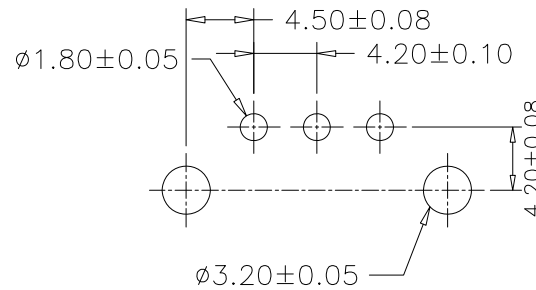
Material:

- Insulator Material: Nylon 66(UL94V-2)
- Contact Material: Brass
- Finish: Tin Plated
- Color: Natural

Ordering Information

SCT4201WRE- xx C 0 NA 103

No.of Pins See Table
Material C=PA66 V2
Package 0=PE Bag
Color NA=Natural



5	16.80	22.20
4	12.60	13.80
3	8.40	18.00
2	4.20	9.60
Poles	A	B
	Dimensions	

					OPERATION	DRAW	Peng	2021.07.10	SCALE	-	 SCONDAR ELECTRONIC LIMITED		
					X.X ±0.35	DESIGN			UNIT	mm			
A1	2021.07.10	Changed from SCT4201WR-E-XXP to SCT4201WRE-xxCONA103			X.XX ±0.25		CHECK	Lisa	2021.07.10	SIZE		A4	
AO	2020.03.03	NEW			X.XXX ±0.15	APPROVE	Allen	2021.07.10	SHEET	1/1		PART NO.	SCT4201WRE-xxCONA103
REV	DATE	MODIFICATION DESCRIPTION	CHANGE	APPROVE	Angle DIM	± 3' TOL	APPROVE	Allen	2021.07.10	PROJ.	⊕	TITLE:	MX4.2 90° Wafer