

RoHS

Recommended P.C.B Layout
General Tolerance±0.05

Specification:

- Current Rating: 9A AC/DC
- Voltage Rating: 600V AC/DC
- Insulation Resistance: 1000MΩ(Min)
- Contact resistance: 20mΩ(Max).
- Withstanding Voltage: 1500VAC(Min)
- Operation Temperature: -25°C to +85°C

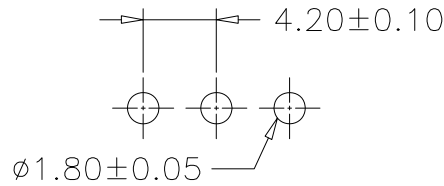
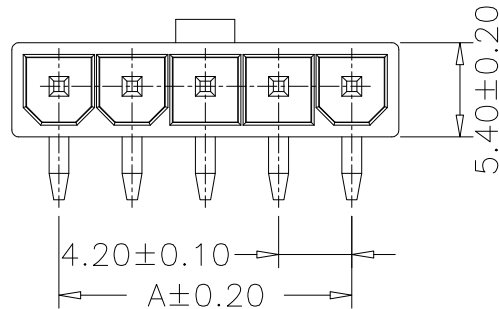
Material:

- Insulator Material: Nylon 66(UL94V-2)
- Contact Material: Brass
- Finish: Tin Plated
- Color: Natural

Ordering Information

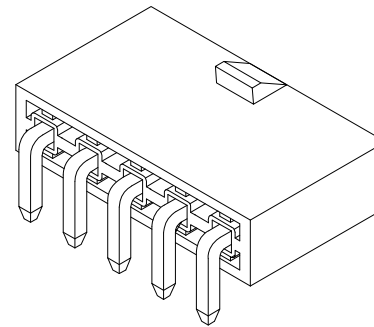
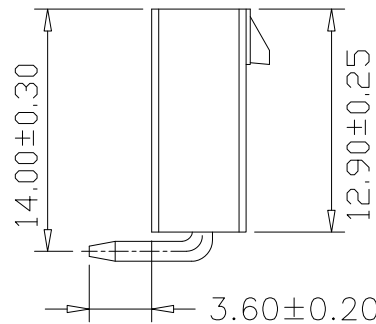
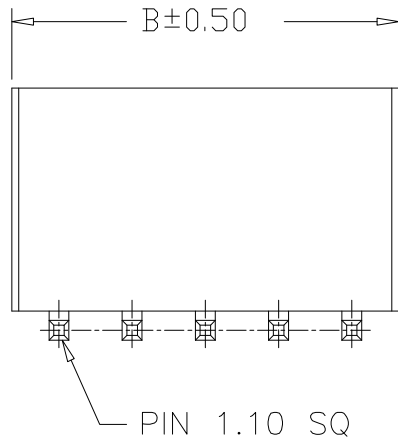
SCT4201WR - xx C 0 NA 103

No. of Pins See Table
Material C=PA66 V2
Package 0=PE Bag
Color NA=Natural



东莞市锐凯达电子科技有限公司
工程专用章

受控



6	21.00	26.40
5	16.80	22.20
4	12.60	13.80
3	8.40	18.00
2	4.20	9.60
Poles	A	B
	Dimensions	

					OPERATION	DRAW	Peng	2021.07.10	SCALE	-	 SCONDAR ELECTRONIC LIMITED
					X.X	±0.35			UNIT	mm	
A1	2021.07.10	Changed from SCT4201WR-xxP to SCT4201WR-xxCNA103			X.XX	±0.25			SIZE	A4	
AO	2020.03.03	NEW			X.XXX	±0.15		2021.07.10	SHEET	1/1	
REV	DATE	MODIFICATION DESCRIPTION			CHANGE	APPROVE		2021.07.10	PROJ.	 TITLE:	SCT4201WR-xxCNA103