

RoHS

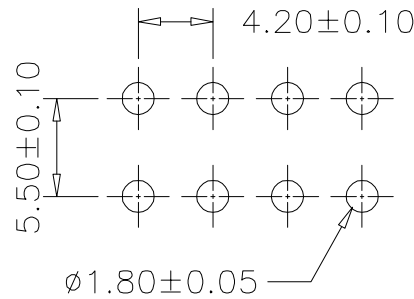
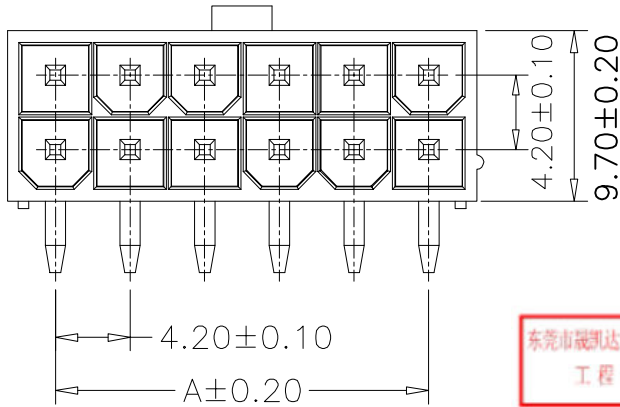
Recommended P.C.B Layout
General Tolerance ±0.05

Specification:

- Current Rating: 9A AC/DC
- Voltage Rating: 600V AC/DC
- Insulation Resistance: 1000MΩ(Min)
- Contact resistance: 20mΩ(Max).
- Withstanding Voltage: 1500VAC(Min)
- Operation Temperature: -25°C to +85°C

Material:

- Insulator Material: Nylon 66(UL94V-2)
- Contact Material: Brass
- Finish: Tin Plated
- Color: Natural



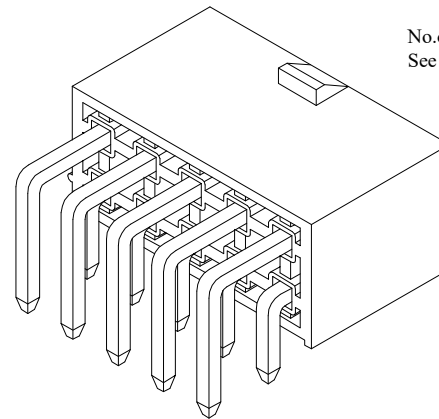
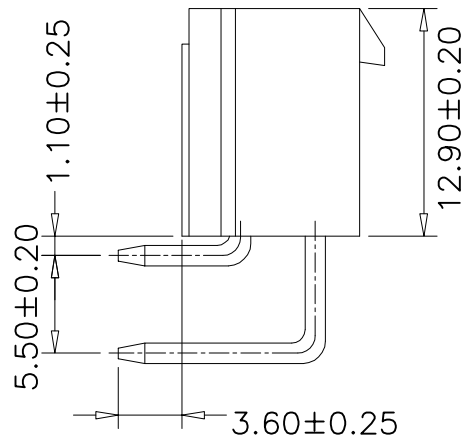
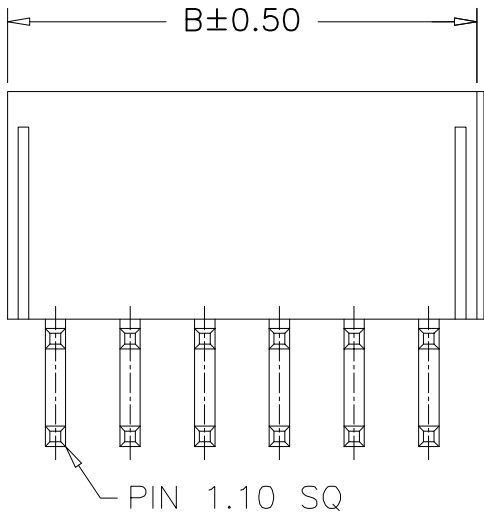
东莞市晟凯达电子科技有限公司
工程专用章

受控

Ordering Information

SCT4201WR -2xx C 0 NA 103

No. of Pins See Table
Material C=PA66 V2
Package 0=PE Bag
Color NA=Natural



| | 2x09 | 33.60 | 39.00 | | |
|-------|------------|-------|------------|------|-------------|
| | 2x08 | 29.40 | 34.80 | | |
| | 2x07 | 25.20 | 30.60 | | |
| | 2x06 | 21.00 | 26.40 | | |
| | 2x05 | 16.80 | 22.20 | | |
| | 2x04 | 12.60 | 18.00 | | |
| | 2x03 | 8.40 | 13.80 | 2x12 | 46.20 51.60 |
| | 2x02 | 4.20 | 9.60 | 2x11 | 42.00 47.40 |
| | 2x01 | — | 5.40 | 2x10 | 37.80 43.20 |
| Poles | A | | B | | Poles |
| | Dimensions | | Dimensions | | |

| REV | DATE | MODIFICATION DESCRIPTION | CHANGE | APPROVE | OPERATION | DRAW | | | SCALE | | SCONDAR ELECTRONIC LIMITED |
|-----|------------|--|--------|---------|-----------|-------|--|--|----------|----------------------|--------------------------------|
| | | | | | X.X | ±0.35 | | | UNIT | mm | |
| A1 | 2021.07.10 | Changed from SCT4201WR-2XX1P to SCT4201WR-2xxC0NA103 | | | X.XX | ±0.25 | | | SIZE | A4 | |
| A0 | 2020.03.03 | NEW | | | X.XXX | ±0.15 | | | SHEET | 1/1 | |
| | | | | | Angle | ± 3' | | | PART NO. | SCT4201WR-2xxC0NA103 | |
| | | | | | DIM | TOL | | | TITLE: | MX4.2 90° Wafer | |