

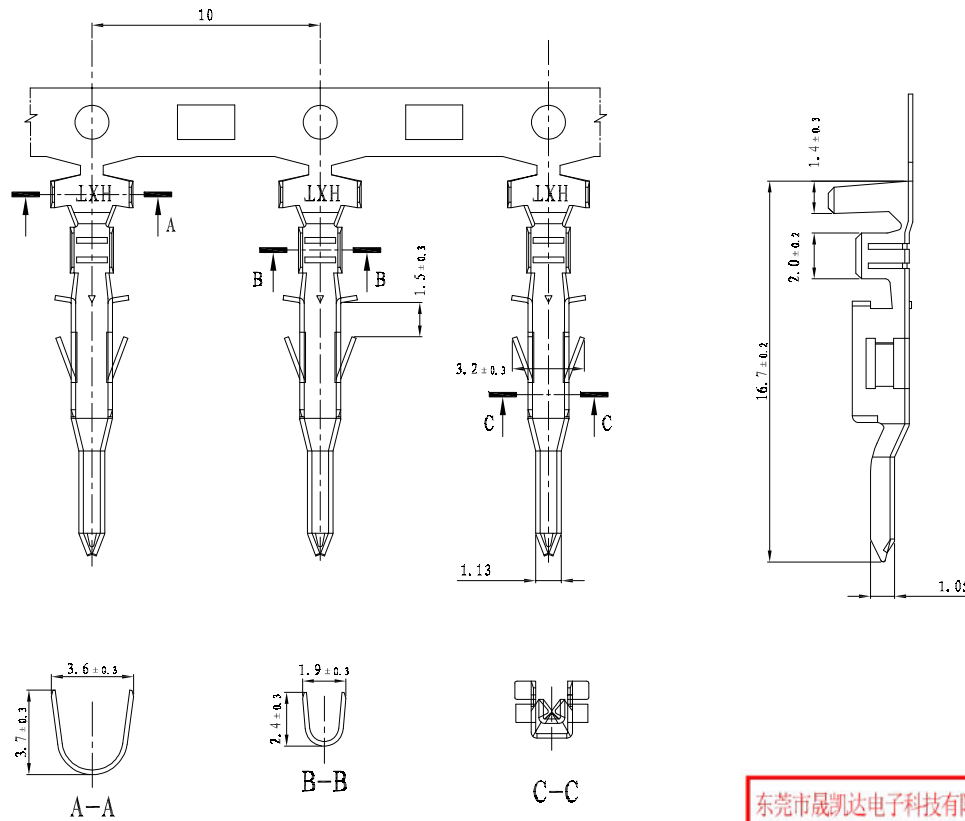
RoHS

Specification:

- Current Rating: 9A AC/DC
- Voltage Rating: 600V AC/DC
- Insulation Resistance: 1000MΩ(Min)
- Contact resistance: 20mΩ(Max).
- Withstanding Voltage: 1500VAC(Min)
- Operation Temperature: -25°C to +85°C

Material:

- Wire Range: 16-24AWG(OD:3.1mm Max)
- Material: Phosphor Bronze, T=0.20mm
- Finish: Tin Plated
- Q'TY: 3K Pcs/Tray



Ordering Information

SCT4201MT P S 115H

Material:  
P=Phosphor Bronze

Contact Plated  
S=Tin Flash

东莞市晟凯达电子科技有限公司  
工程专用章

受控

					OPERATION	DRAW	Peng	2021.07.10	SCALE	-	 SCONDAR ELECTRONIC LIMITED	
					X.X	±0.35			UNIT	mm		
					X.XX	±0.25			SIZE	A4		
A1	2021.07.10	Changed from SCT4201-MTPH to SCT4201MTPS115H			X.XXX	±0.15			SHEET	1/1	PART NO.	SCT4201MTPS115H
A0	2018.03.03	NEW			Angle	± 3'			PROJ.	☯	TITLE:	MOLEX4.2 Male Terminal
REV	DATE	MODIFICATION DESCRIPTION	CHANGE	APPROVE	DIM	TOL	APPROVE	Allen				