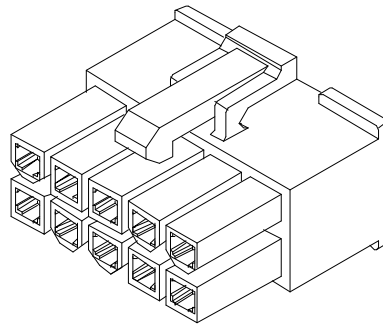
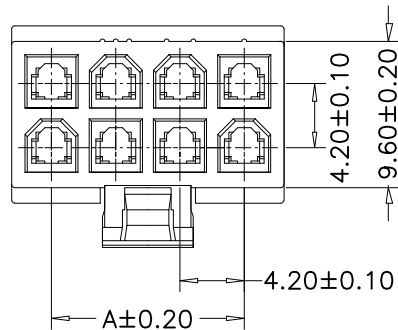


RoHS



Specification:

- Current Rating: 9A AC/DC
- Voltage Rating: 600V AC/DC
- Insulation Resistance: 1000MΩ Min
- Withstanding Voltage: 1500VAC(1Min)
- Operation Temperature: -25°C to +85°C
- Contact resistance: 20mΩ(Max)

Material:

- Insulator (Housing): Nylon 66 (UL94V-0)
- Color: Natural

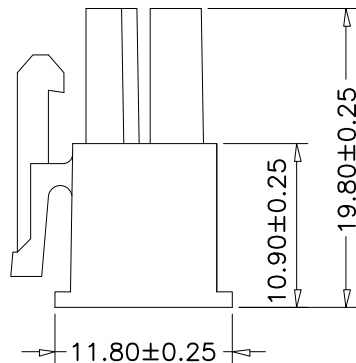
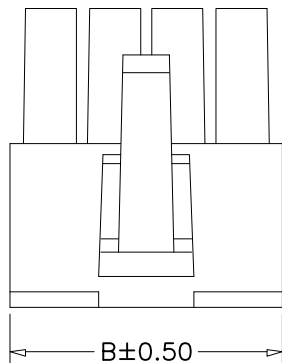
Ordering Information

SCT4201MH -2** B NA 103

No.of Pins
02-24Pin

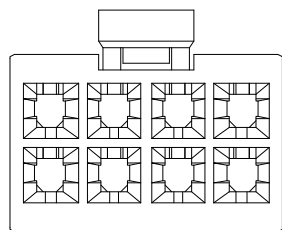
Insulation
B=PA66 V0

Color
NA=Natural



东莞市晟凯达电子科技有限公司
工程专用章

受控



2x09	33.60	39.00			
2x08	29.40	34.80			
2x07	25.20	30.60			
2x06	21.00	26.40			
2x05	16.80	22.20			
2x04	12.60	18.00			
2x03	8.40	13.80	2x12	46.20	51.60
2x02	4.20	9.60	2x11	42.00	47.40
2x01	—	5.50	2x10	37.80	43.20
Poles	A	B	Poles	A	B
	Dimensions			Dimensions	

REV	DATE	MODIFICATION DESCRIPTION	CHANGE	APPROVE	OPERATION	DRAW	Peng	2021.07.10	SCALE	—	 SCONDAR ELECTRONIC LIMITED
A1	2021.07.10	Changed from SCT4201MH-2xxP to SCT4201MH-2xxBNA103	—	—	X.X	±0.35	—	—	UNIT	mm	
AO	2015.03.03	NEW	—	—	X.XX	±0.25	—	—	SIZE	A4	
					X.XXX	±0.15	—	—	SHEET	1/1	
					Angle	± 3'	—	—	PART NO.	SCT4201MH-2xxBNA103	
					DIM	TOL	APPROVE	Allen	2021.07.10	PROJ.	 TITLE: MX 4.20mm Pitch Male Housing Connector