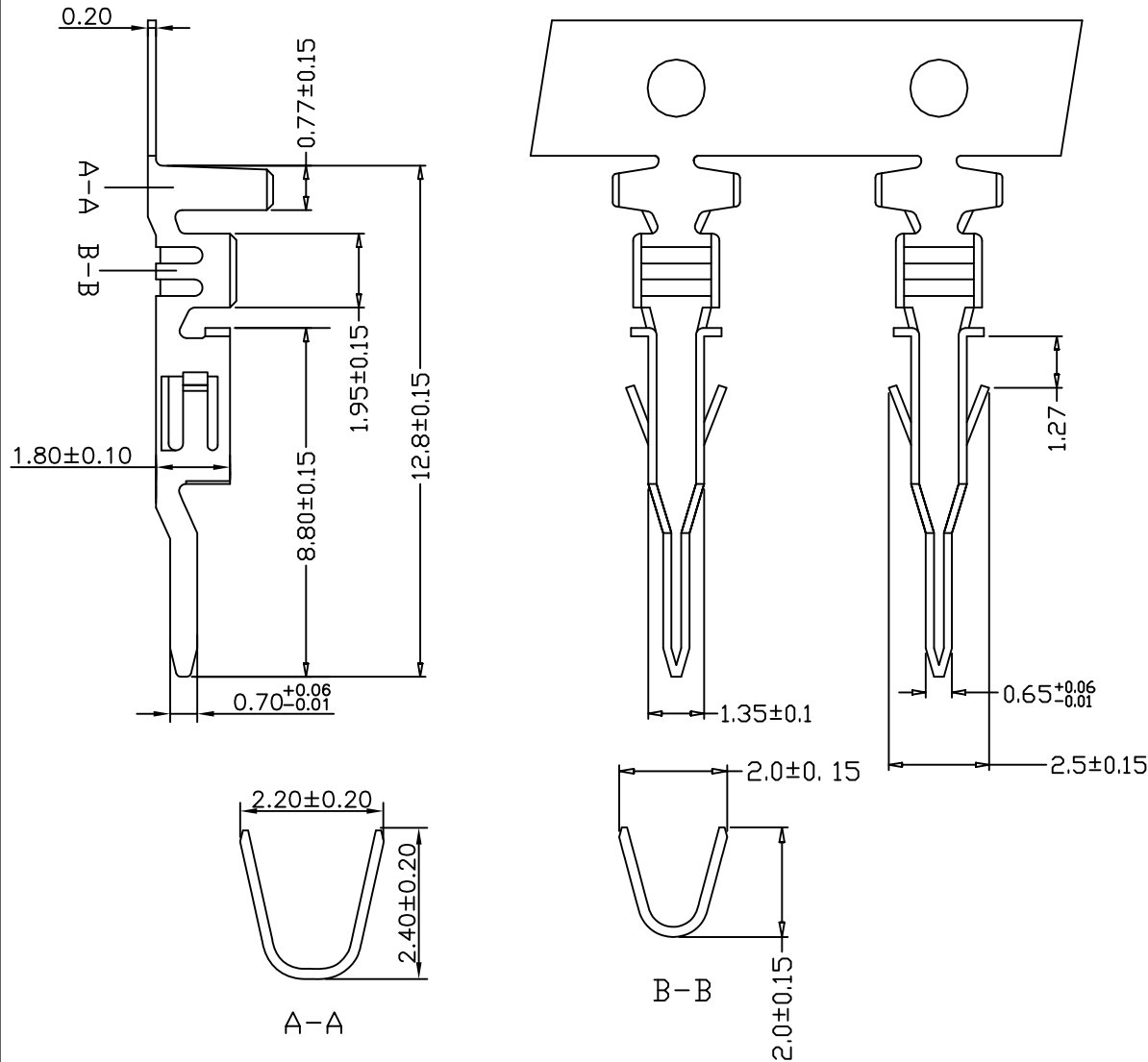


RoHS



Specification:

- Current Rating: 5A AC/DC
- Voltage Rating: 250V AC/DC
- Insulation Resistance: 1000MΩ(Min)
- Contact resistance: 20mΩ(Max).
- Withstanding Voltage: 500VAC(Min)
- Operation Temperature: -25°C to +85°C


Material:

- Wire Range: 18-24AWG(OD:1.85mm)
- Material: Phosphor Bronze, T=0.20mm
- Finish: Tin Plated/Gold Plated
- Q'TY: 10,000PCS/Reel

Ordering Information

SCT3001MT P * 107

Material: P=Phosphor Bronze
Contact Plated S=Tin Flash G=Gold Flash

					OPERATION	DRAW	Peng	2021.07.10	SCALE	-	 SCONDAR ELECTRONIC LIMITED	
					X.X ±0.35	DESIGN			UNIT	mm		
					X.XX ±0.25		CHECK	Lisa	2021.07.10	SIZE		A4
A1	2021.07.10	Changed from SCT3001-MTPB to SCT3001MTPS107			X.XXX ±0.15	APPROVE	Allen	2021.07.10	SHEET	1/1	PART NO.	SCT3001MTPS107
AO	2018.03.03	NEW			Angle ± 3'				PROJ.	⌀	TITLE:	MX3.0 Male Terminal
REV	DATE	MODIFICATION DESCRIPTION		CHANGE	APPROVE							