

RoHS

Specification:

- Current Rating: 2A AC/DC
- Voltage Rating: 250V AC/DC
- Insulation Resistance: 1000MΩ(Min)
- Contact resistance: 20mΩ(Max).
- Withstanding Voltage: 500VAC(Min)
- Operation Temperature: -25°C to +85°C

Material:

- Wire Range:20-24AWG(OD:1.85mm)
- Material: Phosphor Bronze, T=0.20mm
- Finish: Tin Plated/Gold Plated
- Q'TY: 10,000Pcs/Reel

Ordering Information

SCT3001FT

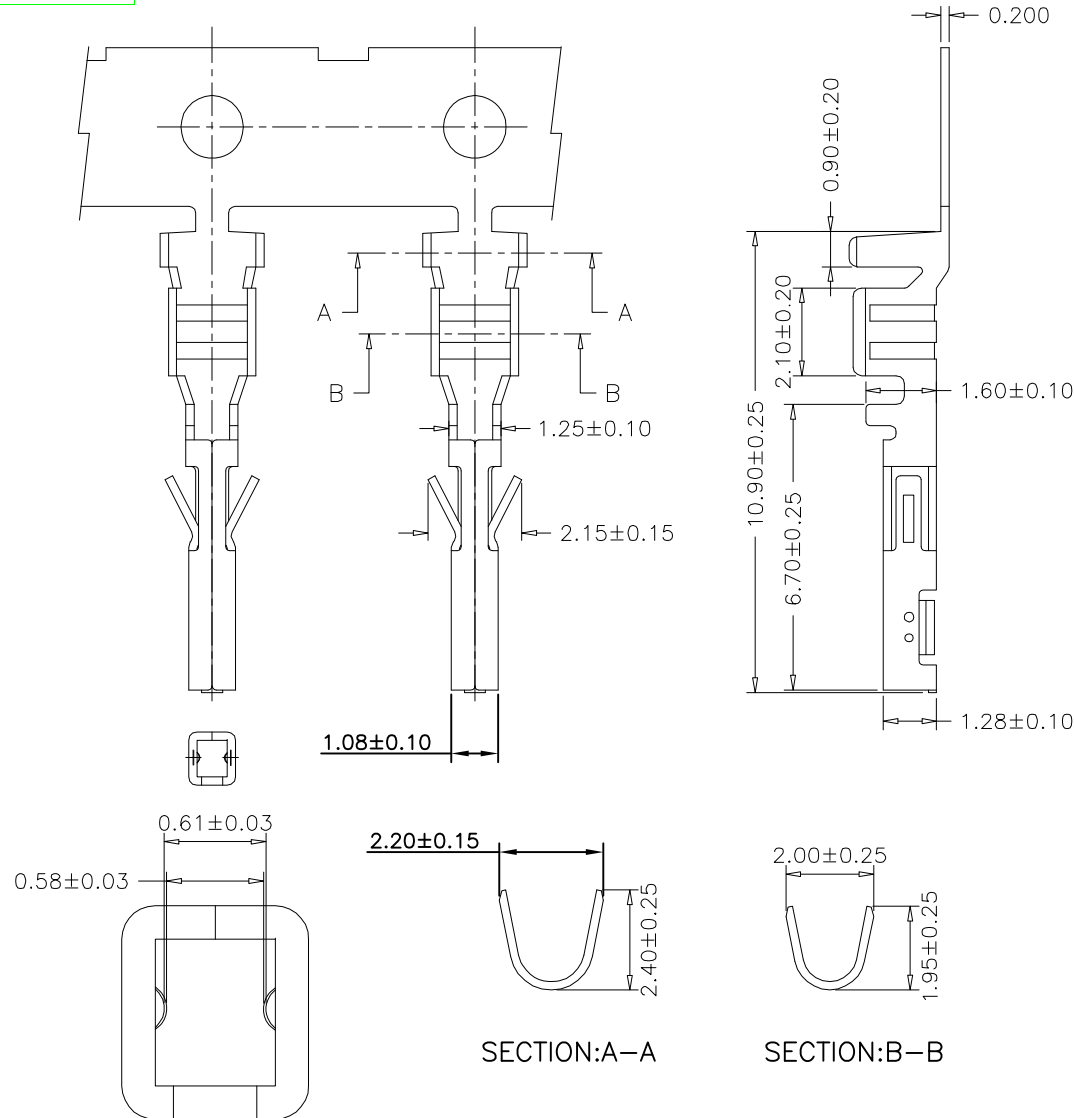
P

*

103


Material:
P=Phosphor Bronze

Contact Plated
S=Tin Flash
G=Gold Flash



SECTION:A-A

SECTION:B-B

REV	DATE	MODIFICATION DESCRIPTION	CHANGE	APPROVE	OPERATION	DRAW	Peng	2021.07.10	SCALE	-	 SCONDAR ELECTRONIC LIMITED	
A1	2021.07.10	Changed from SCT3001-FTPC to SCT3001FTPx103			X.X	±0.35			UNIT	mm		
AO	2018.03.03	NEW			X.XX	±0.25			SIZE	A4		
					X.XXX	±0.15			SHEET	1/1		
					Angle	± 3'			PROJ.	☯	PART NO.	SCT3001FTPx103
					DIM	TOL					TITLE:	MX3.0 Female Terminal

