

RoHS

东莞市晟凯达电子科技有限公司  
工程专用章

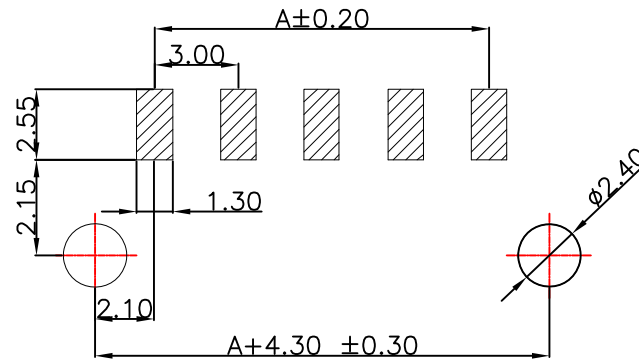
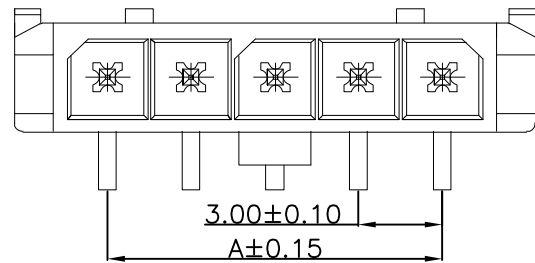
Recommended P.C.B Layout  
General Tolerance±0.05

Specification:

- Current Rating: 5A AC/DC
- Voltage Rating: 250V AC/DC
- Insulation Resistance: 1000MΩ Min
- Withstanding Voltage: 1500VAC Min
- Contact resistance: 20mΩ(Max).
- Operation Temperature: -25°C to +85°C

Material:

- Insulator (Housing): Nylon 66 (UL94V-0)
- Contacts: Brass
- Solder: Tin Plated
- Color: Black

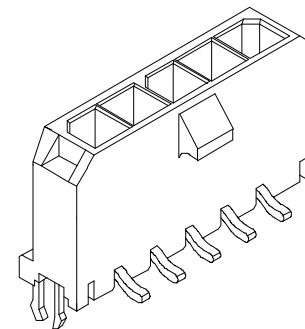
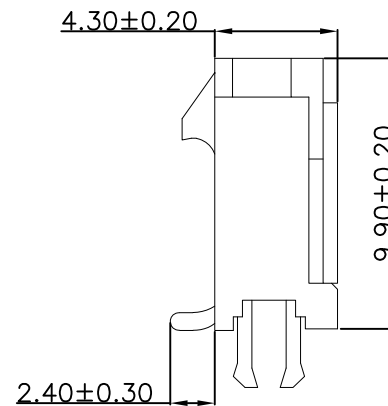
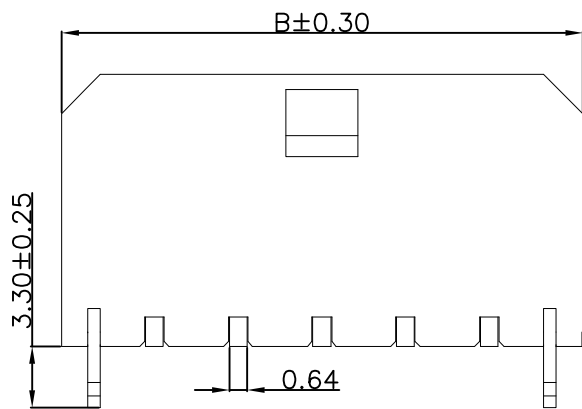


受控

Ordering Information

SCT3001WVSY- \*\* B 1 BK 113

No. of Pins See Table  
Insulation B=PA66  
Package 1=Tape&Reel  
Color BK=Black



10	27.00	33.70			
9	24.00	30.70			
8	21.00	27.70			
7	18.00	24.70			
6	15.00	21.70			
5	12.00	18.70			
4	9.00	15.70			
3	6.00	12.70	12	33.00	39.70
2	3.00	9.70	11	30.00	36.70
Poles	A	B	Poles	Dimensions	
	Dimensions			Dimensions	

REV	DATE	MODIFICATION DESCRIPTION	CHANGE	APPROVE	OPERATION	DRAW	Peng	2021.07.10	SCALE	-	 SCONDAR ELECTRONIC LIMITED	
A1	2021.07.10	Changed from SCT3001WV-S-E-xxPB to SCT3001WVSY-xxF1BK113			X.X	DESIGN			UNIT	mm		
AO	2019.10.15	NEW			X.XX	CHECK	Lisa	2021.07.10	SIZE	A4		
					X.XXX	APPROVE	Allen	2021.07.10	SHEET	1/1		
					Angle				PROJ.	⌀	PART NO.	SCT3001WVSY-xxF1BK113
					DIM						TITLE:	MX3.0 180° SMT Wafer Connector