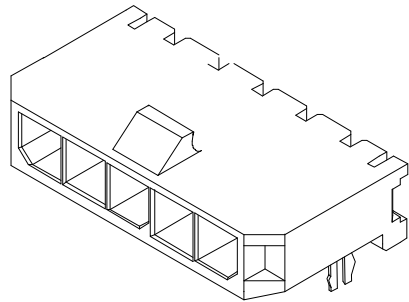
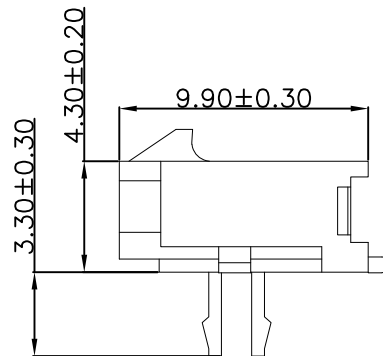
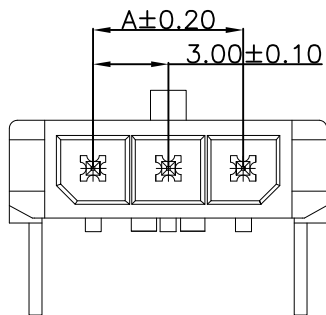
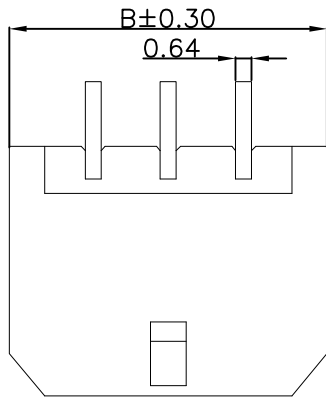
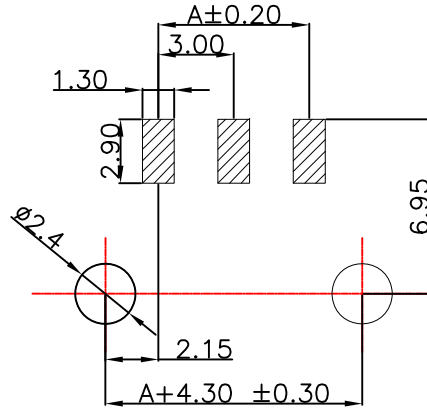


RoHS



Recommended P.C.B Layout
General Tolerance ± 0.05



Specification:

- Current Rating: 5A AC/DC
- Voltage Rating: 250V AC/DC
- Insulation Resistance: 1000M Ω Min
- Withstanding Voltage: 1500VAC Min
- Contact resistance: 20m Ω (Max).
- Operation Temperature: -25 $^{\circ}$ C to +85 $^{\circ}$ C

Material:

- Insulator (Housing): Nylon 66 (UL94V-0)
- Contacts: Brass
- Solder: Tin Plated
- Color: Black

Ordering Information

SCT3001WRSY- ** B 1 BK 113

No.of Pins See Table
Insulation B=PA66
Package 1=Tape&Reel
Color BK=Black

9	24.00	30.65			
8	21.00	27.65			
7	18.00	24.65			
6	15.00	21.65			
5	12.00	18.65			
4	9.00	15.65			
3	6.00	12.65	12	33.00	39.65
2	3.00	9.65	11	30.00	36.65
1	—	6.65	10	27.00	33.65
Poles	A	B	Poles	A	B
	Dimensions			Dimensions	

REV	DATE	MODIFICATION DESCRIPTION	CHANGE	APPROVE	OPERATION	DRAW	Peng	2021.07.10	SCALE	—	 SCONDAR ELECTRONIC LIMITED	
A1	2021.07.10	Changed from SCT3001WR-S-E-xxPB to SCT3001WRSY-xxB1BK113	—	—	X.X	DESIGN			UNIT	mm		
AO	2019.10.15	NEW	—	—	X.XX	CHECK	Lisa	2021.07.10	SIZE	A4		
					X.XXX	APPROVE	Allen	2021.07.10	SHEET	1/1		
					Angle				PROJ.	⊕	PART NO.	SCT3001WRSY-xxB1BK113
					DIM						TITLE:	MX3.0 90° SMT Wafer Connector