

RoHS

Specification:

- Current Rating: 8A AC/DC
- Voltage Rating: 300V AC/DC
- Insulation Resistance: 1000MΩ Min
- Withstanding Voltage: 1000VAC(1Min)
- Operation Temperature: -25°C to +85°C
- Contact resistance: 20mΩ(Max)

Material:

- Insulator (Housing): PA66
- Color: Natural

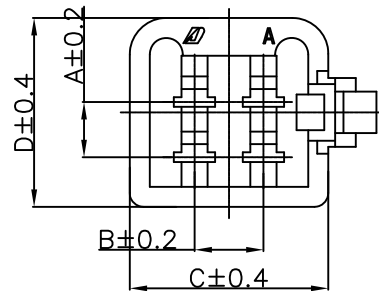
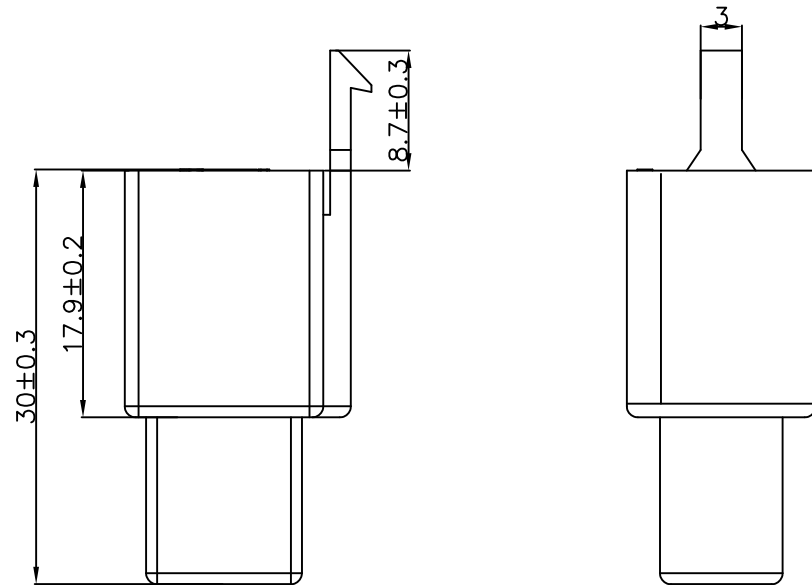
**Ordering Information**

SCT28050FH - \*\* B NA 102


No.of Pins  
See Table

Insulation  
B=PA66

Color  
NA=Natural



	9	8.00	10.0	19.30	17.6
	6	8.00	5.00	14.30	17.6
	4	4.00	5.00	14.30	13.6
	3	8.00	/	9.50	17.6
	2	4.00	/	9.50	13.7
Poles		A	B	C	D
	Dimensions				

					OPERATION	DRAW	Peng	2021.07.12	SCALE	-	 <b>SCONDAR ELECTRONIC LIMITED</b>	
					X.X	±0.35			UNIT	mm		
A1	2021.07.12	Changed from SCT28050FH-xxP to SCT28050FH-xxBNA102			X.XX	±0.25			SIZE	A4		
AO	2006.05.02	NEW			X.XXX	±0.15	Lisa	2021.07.12	SHEET	1/1		PART NO.
REV	DATE	MODIFICATION DESCRIPTION		CHANGE	APPROVE	APPROVE	Allen	2021.07.12	PROJ.	⊕	TITLE:	28050 Female Housing Connector