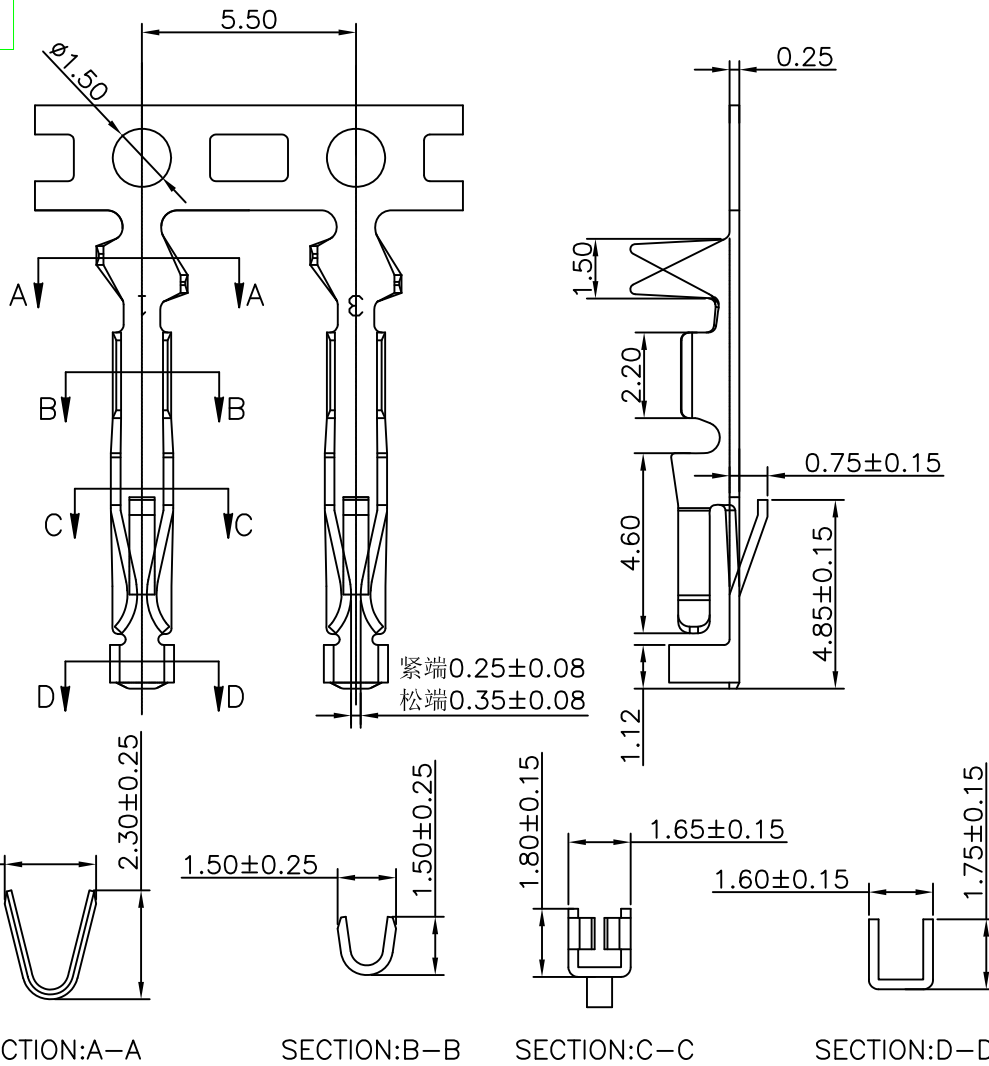


RoHS



Specification:

- Current Rating: 3A AC/DC
- Voltage Rating: 250V AC/DC
- Insulation Resistance: 1000MΩ(Min)
- Contact resistance: 20mΩ(Max).
- Withstanding Voltage: 1500VAC(Min)
- Operation Temperature: -25°C to +85°C

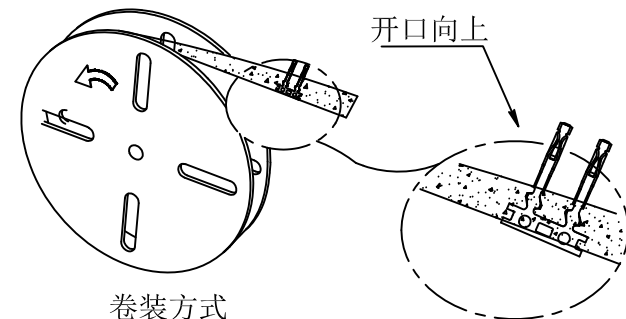
Material:

- Wire Range: 22-28AWG
- Material: Phosphor Bronze, T=0.25mm
- Finish: Tin Plated

Ordering Information

SCT2549FT P S 107

Material: P=Phosphor Bronze S=Contact Plated Tin Flash



					OPERATION	DRAW	Peng	2021.07.09	SCALE	-	 SCONDAR ELECTRONIC LIMITED	
					X.X ±0.35	DESIGN			UNIT	mm		
					X.XX ±0.25		CHECK	Lisa	2021.07.09	SIZE		A4
A1	2021.07.09	Changed from SCT2549FT to SCT2549FTPS107			X.XXX ±0.15	APPROVE			SHEET	1/1	PART NO.	SCT2549FTPS107
AO	2018.03.03	NEW			Angle ± 3'			Allen	2021.07.09	PROJ.	☯	TITLE:
REV	DATE	MODIFICATION DESCRIPTION	CHANGE	APPROVE	DIM	TOL						