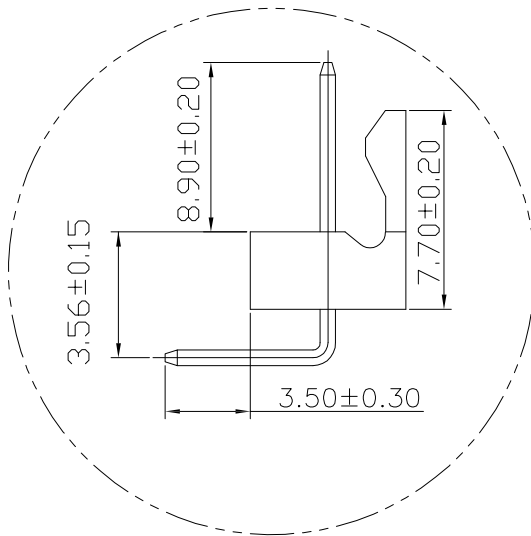
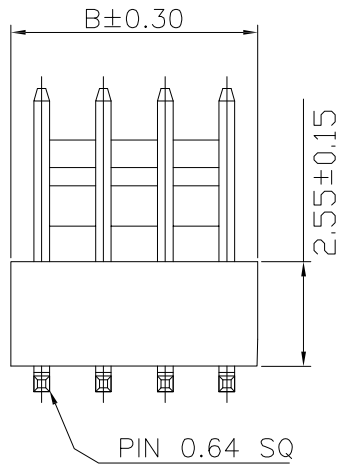
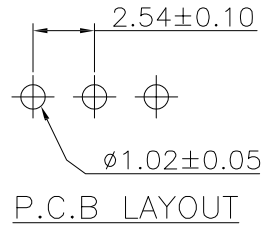
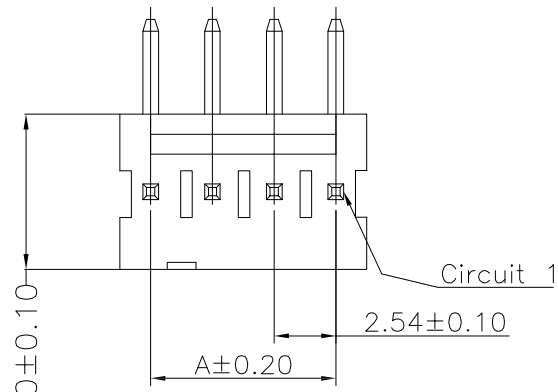


RoHS



Specification:  
 -Current Rating: 4A AC/DC  
 -Voitage Rating: 250V AC/DC  
 -Insulation Resistance: 1000MΩ Min  
 -Withstanding Voltage: 1000VAC(1Min)  
 -Contact resistance: 10mΩ(Max).  
 -Operation Temperature: -25°C to +85°C  
 Material:  
 -Insulator (Housing): PA66 (UL94V-2)  
 -Color:White  
 -Contacts:Brass/Tin Plated

**Ordering Information**

SCT2548WR - xx C 0 WT 140  
 No.of Pins See Table    Insulation C=PA66 V2    Package 0=PE Bag    Color BE=Beige

Dimensions		Part NO	PIN
A	B		
2.54	5.08	SCT2548WR-02COWT140	2
5.08	7.62	SCT2548WR-03COWT140	3
7.62	10.16	SCT2548WR-04COWT140	4
10.16	12.70	SCT2548WR-05COWT140	5
12.70	15.24	SCT2548WR-06COWT140	6
15.24	17.78	SCT2548WR-07COWT140	7
17.78	20.32	SCT2548WR-08COWT140	8
20.32	22.86	SCT2548WR-09COWT140	9

					OPERATION	DRAW	Zhong	2019. 12. 18	SCALE	—	<p>SCONDAR ELECTRONIC LIMITED</p>
					X. X ±0.30	DESIGN			UNIT	mm	
					X. XX ±0.20		CHECK	Lisa	2019. 12. 18	SIZE	
A0		NEW			X. XXX ±0.10				SHEET	1/1	
REV	DATE	MODIFICATION DESCRIPTION	CHANGE	APPROVE	Angle ±3°	APPROVE			PROJ.	⊕	TITLE:
					DIM TOL						2.54mm Pitch DIP Single Row Right angle Through Hole PCB Header xxPin PA66 V2 WHITE Tin(Sn) Plating PE Bag 3.50mm PC Tail Length MPQ-1RPcs