

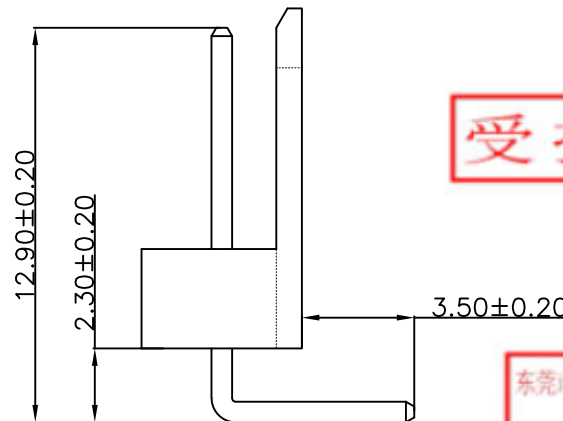
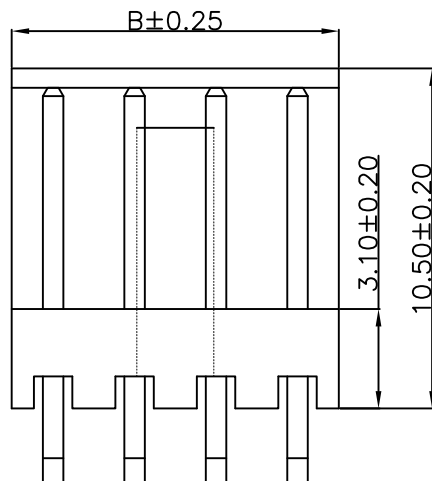
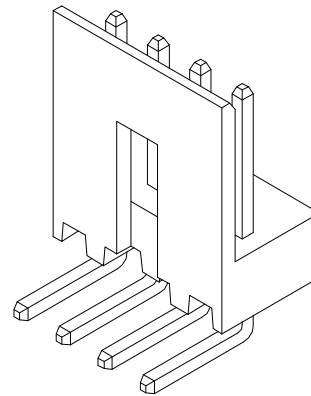
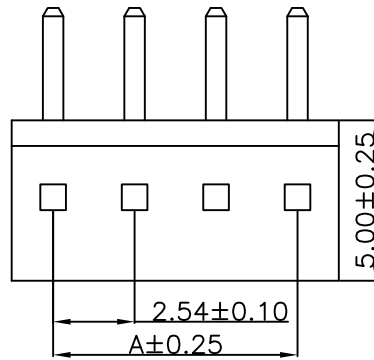
RoHS

Specification:

- Current Rating: 3A AC/DC
- Voltage Rating: 250V AC/DC
- Insulation Resistance: 1000MΩ Min
- Withstanding Voltage: 1000VAC Min
- Contact resistance: 20mΩ(Max).
- Operation Temperature: -25°C to +85°C

Material:

- Insulator (Housing): PA66
- Contacts: Brass
- Solder: Tin Plated
- Color: White



受控

东莞市晟凯达电子科技有限公司
工程专用章

Ordering Information

SCT2545WR - ** B 0 WT 102

No. of Pins See Table
Insulation B=PA66
Package 0=PE Bag
Color WT=White

10	22.86	27.94			
9	20.32	25.40			
8	17.78	22.86			
7	15.24	20.32			
6	12.70	17.78			
5	10.16	15.24			
4	7.62	12.70			
3	5.08	10.16	12	27.94	33.02
2	2.54	7.62	11	25.40	30.48
Poles	A	B	Poles	A	B
	Dimensions			Dimensions	

REV	DATE	MODIFICATION DESCRIPTION	CHANGE	APPROVE	OPERATION	DRAW	Peng	2021.07.09	SCALE	-	 SCONDAR ELECTRONIC LIMITED	
A1	2021.07.09	Changed from SCT2545WR-xxP to SCT2545WR-xxB0WT102			X.X	±0.35			UNIT	mm		
AO	2019.10.15	NEW			X.XX	±0.25			SIZE	A4		
					X.XXX	±0.15		2021.07.09	SHEET	1/1		
					Angle	± 3'			PROJ.	⊕	PART NO.	SCT2545WR-xxB0WT102
					DIM	TOL		2021.07.09			TITLE:	AMP171822 2.54mm 90° Wafer Connector