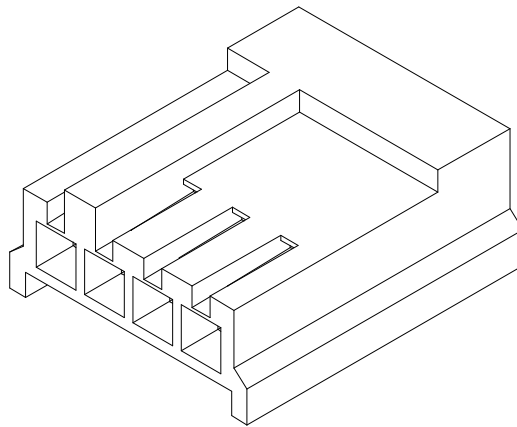
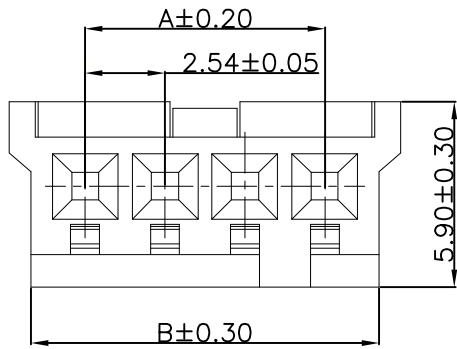


RoHS



Specification:

- Current Rating: 3A AC/DC
- Voltage Rating: 250V AC/DC
- Insulation Resistance: 1000MΩ Min
- Withstanding Voltage: 500VAC(1Min)
- Contact resistance: 20mΩ(Max).
- Operation Temperature: -25°C to +85°C

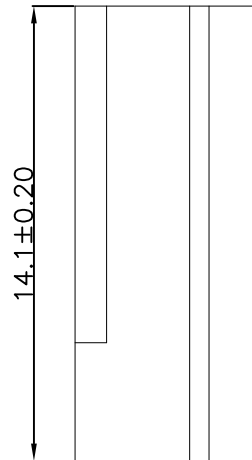
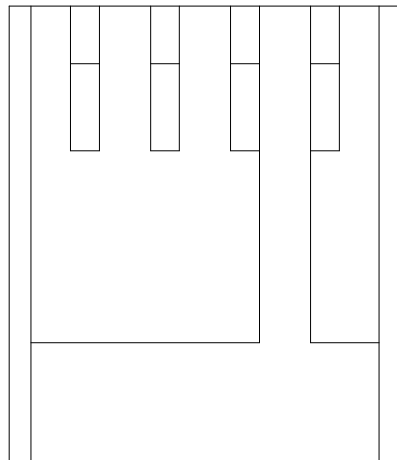
Material:

- Insulator (Housing): PA66 (UL94V-0)
- Color: White

Ordering Information

SCT2545H - xx B WT 102

No. of Pins See Table  
Insulation B=PA66  
Color WT=White



东莞市晟凯达电子科技有限公司  
工程专用章

受控

10	22.86	25.40			
9	20.32	22.86			
8	17.78	20.32			
7	15.24	17.78			
6	12.70	15.24			
5	10.16	12.70			
4	7.62	10.16			
3	5.08	7.62	12	27.94	30.48
2	2.54	5.08	11	25.40	27.94
Poles	A	B	Poles	A	B
	Dimensions			Dimensions	

REV	DATE	MODIFICATION DESCRIPTION	CHANGE	APPROVE	OPERATION	DRAW	Peng	2021.07.09	SCALE	-	UNIT	mm	SCONDAR	SCONDAR ELECTRONIC LIMITED
A1	2021.07.09	Changed from SCT2545H-xxP to SCT2545H-xxBWT102			X.X	DESIGN					mm	A4		
AO	2019.10.15	NEW			X.XXX	CHECK	Lisa	2021.07.09			SHEET	1/1	PART NO.	SCT2545H-xxBWT102
					Angle	APPROVE	Allen	2021.07.09			PROJ.	☯	TITLE:	MX2.54 CD-ROM Male Housing Connector