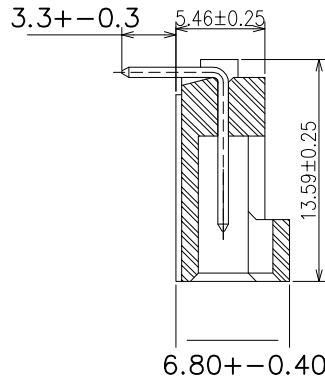
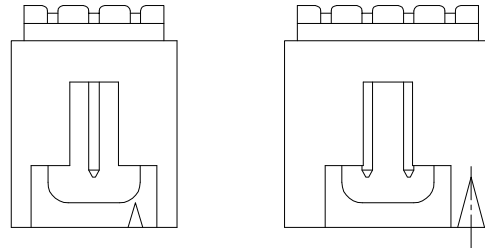


RoHS



2P-6P 6.8±0.4
6P以上 6.2±0.3



东莞市晟凯达电子科技有限公司
工程专用章

受控

SPECIFICATIONS

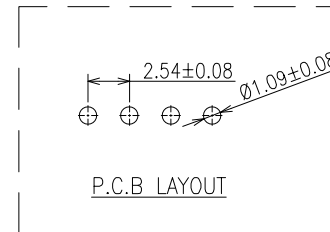
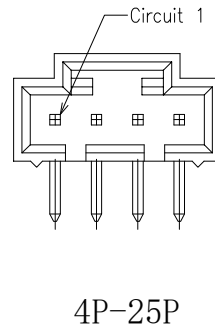
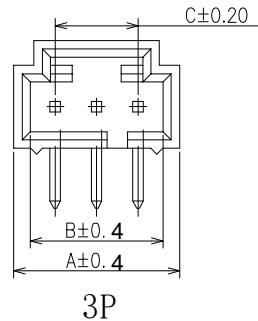
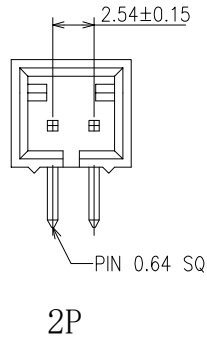
Current rating:3A AC,DC
Voltage rating:250V AC,DC
Temperature range:-25° C~+105° C
Contact resistance:20mΩ Max.
Insulation resistance:1000MΩ Min.
Withstanding voltage:1500V AC/minute
Compliant with RoHS and REACH
Meet the HF/Halogen Free, need to customize
Contact JSV for details

Reference Informations:

*Material: Pin: Brass/Gold over Nickel
Insulator: PBT15%GF , UL94V-0
*Mates with 7 series Housing
*Color: Black

Ordering Information & Dimensions
Unit: mm

Part NO.	Dimensions		
	A	B	C
A2547WR-2P	7.37	5.33	2.54
A2547WR-3P	10.17	8.13	5.08
A2547WR-4P	12.71	10.67	7.62
A2547WR-5P	15.25	13.21	10.16
A2547WR-6P	17.79	15.75	12.70
A2547WR-7P	20.33	18.29	15.24
A2547WR-8P	22.87	20.83	17.78
A2547WR-9P	25.41	23.37	20.23
A2547WR-10P	27.95	25.91	22.86
A2547WR-11P	30.49	28.45	25.40
A2547WR-12P	33.03	30.99	27.94
A2547WR-13P	35.57	33.53	30.48
A2547WR-14P	38.11	36.07	33.02
A2547WR-15P	40.65	38.61	35.56
A2547WR-16P	43.19	41.15	38.10
A2547WR-17P	45.73	43.69	40.64
A2547WR-18P	48.27	46.23	43.18
A2547WR-19P	50.81	48.77	45.72
A2547WR-20P	53.35	51.31	48.26
A2547WR-21P	55.89	53.85	50.80
A2547WR-22P	58.43	56.39	53.34
A2547WR-23P	60.97	58.93	55.88
A2547WR-24P	63.51	61.47	58.42
A2547WR-25P	66.05	64.01	60.96



						OPERATION	DRAW	Yang	2020.03.03	SCALE	-	 SCONDAR ELECTRONIC LIMITED
						X.X	±0.35			UNIT	mm	
						X.XX	±0.25			SIZE	A4	
						X.XXX	±0.15			SHEET	1/1	
AO	2020.03.03		NEW			Angle	± 3'			PART NO.		SCT2544WR-xxD0BK108
REV	DATE		MODIFICATION DESCRIPTION	CHANGE	APPROVE	DIM	TOL	APPROVE		PROJ.		TITLE: MX2.54 CD-ROM 90° Wafer Connector