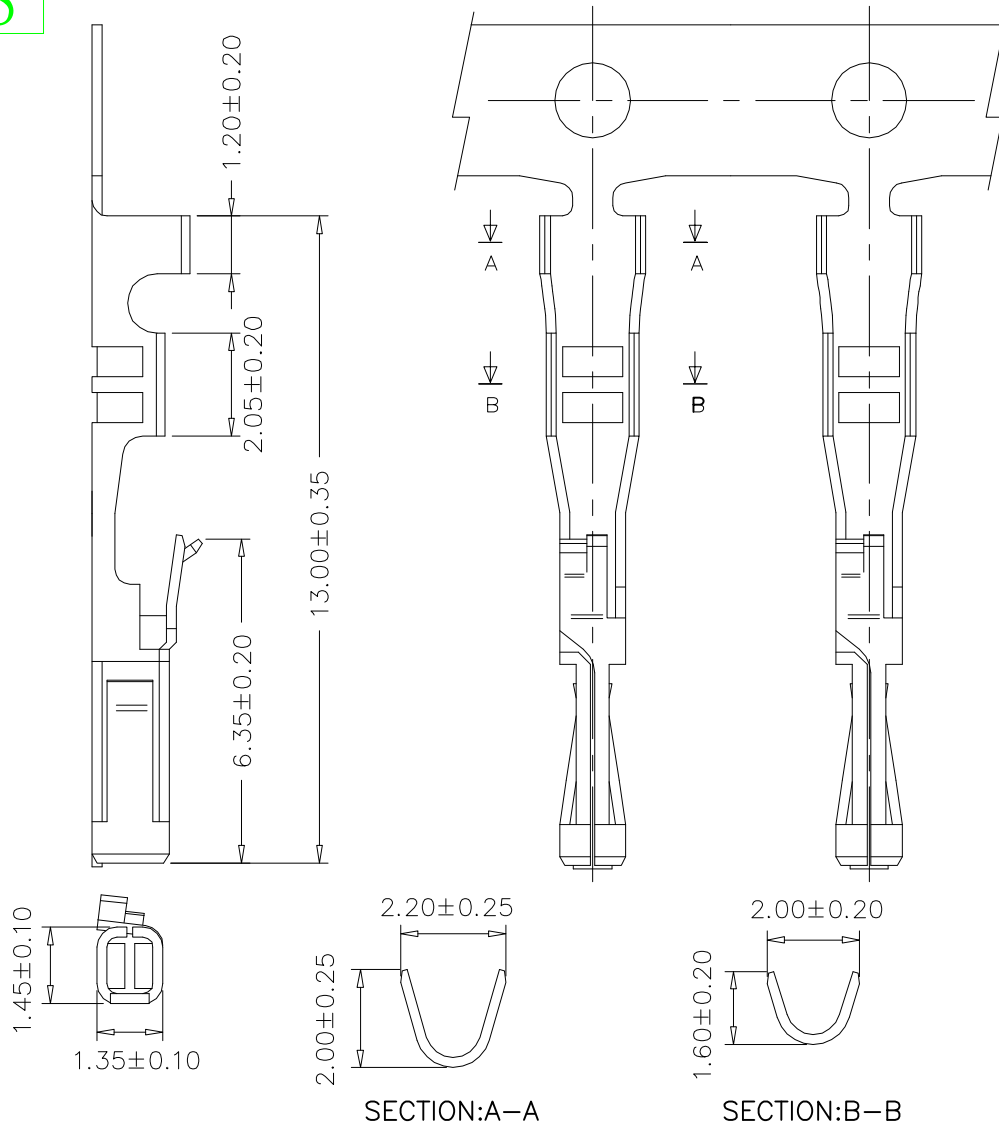


RoHS



Specification:

- Current Rating: 2A AC/DC
- Voltage Rating: 250V AC/DC
- Insulation Resistance: 1000MΩ(Min)
- Contact resistance: 20mΩ(Max).
- Withstanding Voltage: 500VAC(Min)
- Operation Temperature: -25°C to +85°C

Material:


- Wire Range: 22-28AWG(OD:1.6mm)
- Material: Phosphor Bronze, T=0.20mm
- Finish: Tin Plated
- Q'TY: 15,000Pcs/Reel

Ordering Information

SCT2544FT P S 107

Material:
P=Phosphor Bronze

Contact Plated
S=Tin Flash

					OPERATION	DRAW	Peng	2021.07.09	SCALE	-	 SCONDAR ELECTRONIC LIMITED	
					X.X	±0.35			UNIT	mm		
					X.XX	±0.25			SIZE	A4		
A1	2021.07.09	Changed from SCT2544-FTPB to SCT2544FTPS107			X.XXX	±0.15			SHEET	1/1	PART NO.	SCT2544FTPS107
AO	2018.03.03	NEW			Angle	± 3'			PROJ.	☯	TITLE:	MX2.54 CD-ROM Female Terminal
REV	DATE	MODIFICATION DESCRIPTION	CHANGE	APPROVE	DIM	TOL	APPROVE	Allen	2021.07.09			