

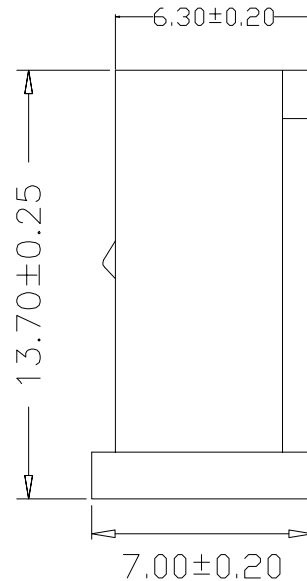
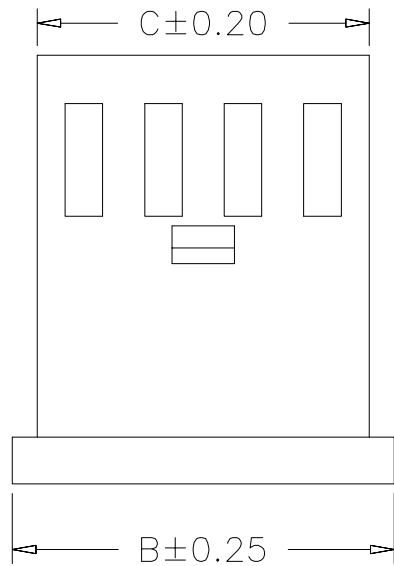
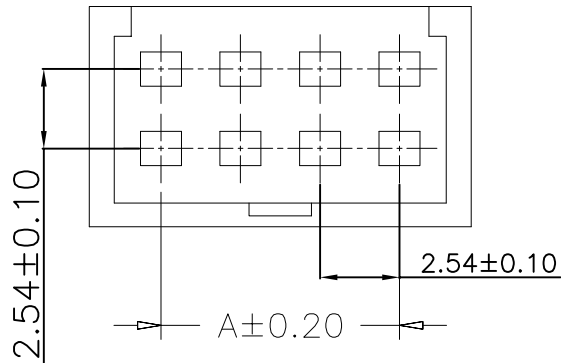
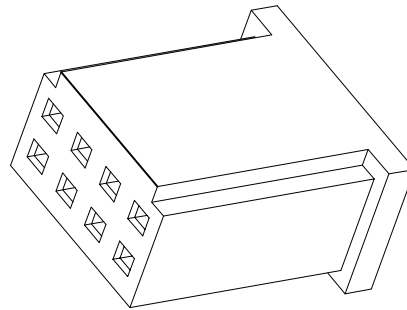
RoHS

Specification:

- Current Rating: 3A AC/DC
- Voltage Rating: 250V AC/DC
- Insulation Resistance: 1000MΩ Min
- Withstanding Voltage: 1000VAC(1Min)
- Contact resistance: 20mΩ(Max).
- Operation Temperature: -25°C to +85°C

Material:

- Insulator (Housing): PBT (UL94V-0)
- Color: Black



Ordering Information

SCT2542H -2xx D BK 107

No. of Pins See Table
Insulation D=PBT
Color BK=Black

2*8	17.78	22.34	20.84	2*15	33.56	40.12	38.62	2*22	53.34	57.90	56.40
2*7	15.24	19.80	18.30	2*14	33.02	37.58	36.08	2*21	50.80	55.36	53.86
2*6	12.70	17.26	15.76	2*13	30.48	35.04	33.54	2*20	48.26	52.82	51.32
2*5	10.16	14.72	13.22	2*12	27.94	32.50	31.00	2*19	45.72	50.28	48.78
2*4	7.62	12.18	10.68	2*11	25.40	29.96	28.46	2*18	43.18	47.74	46.24
2*3	5.08	9.64	8.14	2*10	22.86	27.42	25.92	2*17	40.64	45.20	43.70
2*2	2.54	7.10	5.60	2*9	20.32	24.88	23.38	2*16	38.10	42.66	41.16
Poles	A	B	C	Poles	A	B	C	Poles	A	B	C
	Dimensions				Dimensions				Dimensions		

SCONDAR ELECTRONIC LIMITED
ENGINEER LIU APPROVED

AO	NEW			OPERATION	DRAW	Peng	2021.07.07	SCALE	-	 SCONDAR ELECTRONIC LIMITED		
				X.X	±0.35	DESIGN		UNIT	mm			
				X.XX	±0.25	CHECK	Lisa	2021.07.07	SIZE		A4	
				X.XXX	±0.15	APPROVE	Allen	2021.07.07	SHEET		1/1	
REV	DATE	MODIFICATION DESCRIPTION	CHANGE	APPROVE	DIM	TOL		PROJ.	⊕	PART NO.	SCT2542H-2xxDBK107	⚠
								TITLE:		AMP280358 2.54mm Double row Housing Connector		