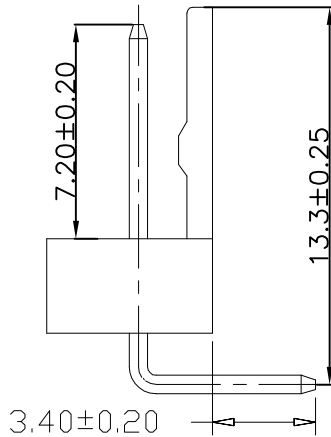
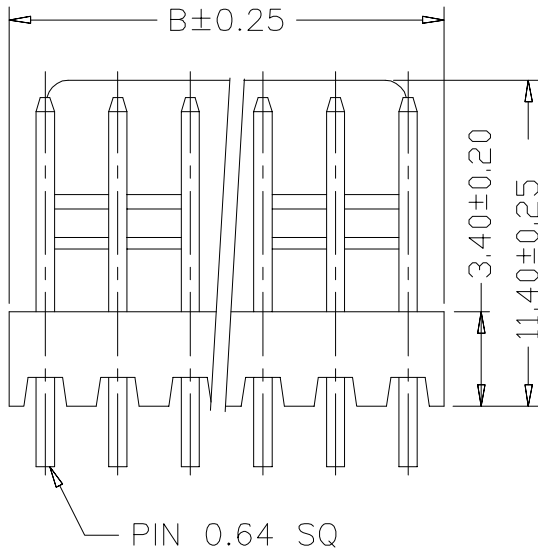
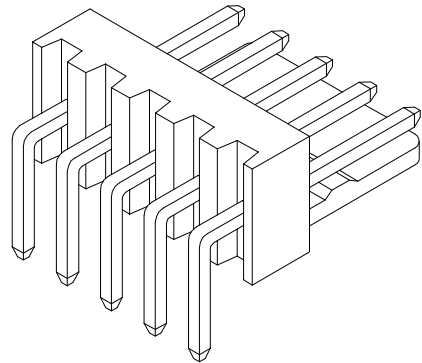
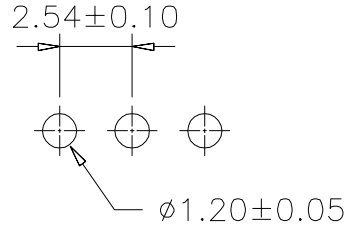
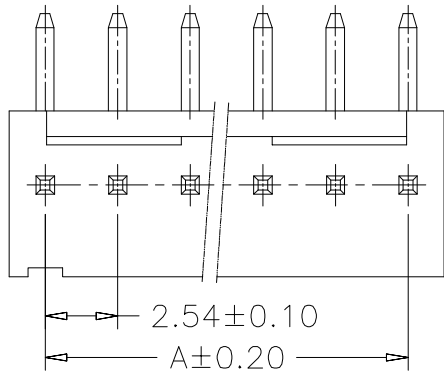


RoHS

Recommended P.C.B Layout
General Tolerance ± 0.05



Specification:

- Current Rating: 4A AC/DC
- Voltage Rating: 250V AC/DC
- Insulation Resistance: 1000M Ω Min
- Withstanding Voltage: 1000VAC Min
- Contact resistance: 20m Ω (Max).
- Operation Temperature: -25 $^{\circ}$ C to +85 $^{\circ}$ C

Material:

- Insulator (Housing): PA66 (UL94V-2)
- Contacts: Brass
- Solder: Gold Plated
- Color: White

Ordering Information

SCT2541WR - ** C 0 WT G 108

No. of Pins: See Table
Insulation: C=PA66 V2
Package: 0=PE Bag
Color: WT=White
Gold Plated

东莞市晟凯达电子科技有限公司
工程专用章

受控

10	22.86	25.40	19	45.72	48.26			
9	20.32	22.86	18	43.18	45.72			
8	17.78	20.32	17	40.64	43.18			
7	15.24	17.78	16	38.10	40.64			
6	12.70	15.24	15	33.56	38.10			
5	10.16	12.70	14	33.02	33.56			
4	7.62	10.16	13	30.48	33.02			
3	5.08	7.62	12	27.94	30.48			
2	2.54	5.08	11	25.40	27.94	20	48.26 50.80	
Poles	A B Dimensions		Poles	A B Dimensions		Poles	A B Dimensions	

REV	DATE	MODIFICATION DESCRIPTION	CHANGE	APPROVE	OPERATION	DRAW	Peng	2019.10.15	SCALE	-	 SCONDAR ELECTRONIC LIMITED	
A0	2019.10.15	NEW			X.X	DESIGN			UNIT	mm		
					X.XX	CHECK			SIZE	A4		
					X.XXX	APPROVE			SHEET	1/1		
					Angle				PROJ.	◆	PART NO.	SCT2541WR-xxC0WTG108
					DIM						TITLE:	MX2.54mm Pitch 90° Wafer Connector