

RoHS

Specification:

- Current Rating: 4A AC/DC
- Voltage Rating: 250V AC/DC
- Insulation Resistance: 1000MΩ Min
- Withstanding Voltage: 1000VAC(1Min)
- Contact resistance: 20mΩ(Max).
- Operation Temperature: -25°C to +85°C

Material:

- Insulator (Housing): Nylon 66 (UL94V-2)
- Color: Beige

Ordering Information

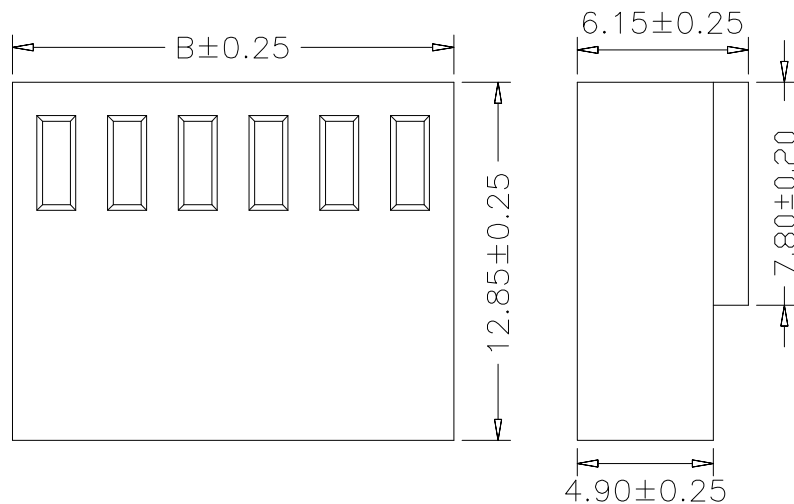
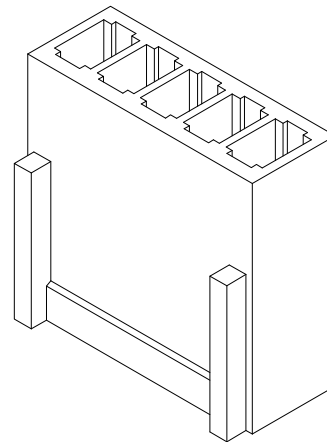
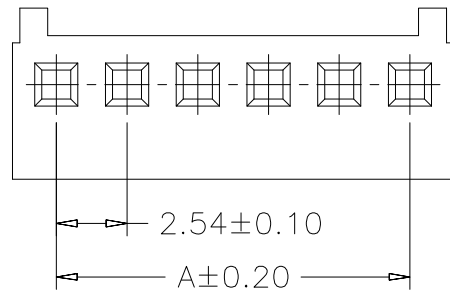
SCT2541MH - xx C BE 109



No.of Pins  
See Table

Insulation  
C=PA66 V2

Color  
BE=Beige

10	22.86	26.00	19	45.72	48.86			
9	20.32	23.46	18	43.18	46.32			
8	17.78	20.92	17	40.64	43.78			
7	15.24	18.38	16	38.10	41.24			
6	12.70	15.84	15	33.56	38.70			
5	10.16	13.30	14	33.02	36.16			
4	7.62	10.76	13	30.48	33.08			
3	5.08	8.22	12	27.94	31.08			
2	2.54	5.68	11	25.40	28.54	20	48.26	51.40
Poles	A	B	Poles	A	B	Poles	A	B
	Dimensions			Dimensions			Dimensions	



REV	DATE	MODIFICATION DESCRIPTION	CHANGE	APPROVE	OPERATION	DRAW	Peng	2021.07.06	SCALE	-	 SCONDAR ELECTRONIC LIMITED
A1	2021.07.06	Changed from SCT2541H-xxP to SCT2541MH-xxCBE109			X.X	±0.35			UNIT	mm	
AO	2019.10.15	NEW			X.XX	±0.25			SIZE	A4	
					X.XXX	±0.15			SHEET	1/1	
					Angle	± 3'			PART NO.	SCT2541MH-xxCBE109	
					DIM	TOL	APPROVE	Allen	2021.07.06	PROJ.	MX2.54 2.54mm Pitch Male Housing Connector